



Linkedin



Facebook



Wechat



PaxGo Series

Intelligent Packing Filler



General Measure Technology Co.,Ltd.

Address: Room2208, Block A, Building 6, Shenzhen International Innovation Valley,
Nanshan District, Shenzhen, Guangdong Province, P.R.China.

Tel/Wechat: +86 185 6585 5789

E-mail: xjlv@szgmt.com

Website: www.gmweighing.com



Making the World Measurable
Linking Your Smart Life



PaxGo Series Intelligent Packing Filler— an intelligent filler is widely used for granule packing.

PaxGo Series Intelligent Packing Filler



Easy
Operation



Automatic
Control



Accurate
Weighing



High
Efficiency

PaxGo is an automatic weigh filler its self-optimizing controls can be precisely configured to your specific material flow, speed and accuracy requirements.

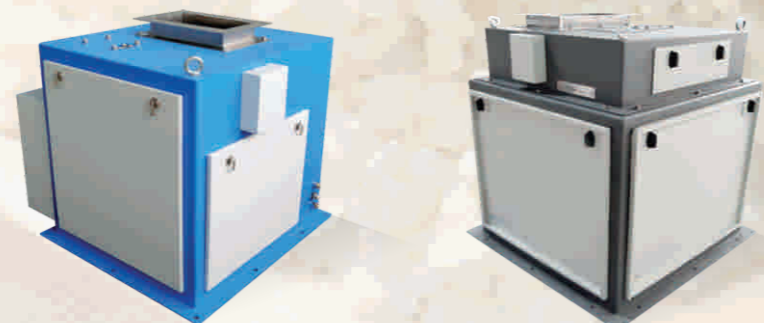
Features:

- Specially designed for granular products like Rice, Pulses, Plastic Granules, Animal Feed, Maize, Soybeans, Seeds, Sugar and other granular material;
- Equipped with self optimizing intelligent program for high speed operation;
- Best accuracy $\pm 2g$;
- Models available in 25g~1kg, 0.25-5kg, 0.5-10kg, 5-25kg, 10-50kg;
- Speeds up to 3600pcs/h (depends on different model and weight).



Industrial Design

Special design for industrial application, high speed and accuracy.



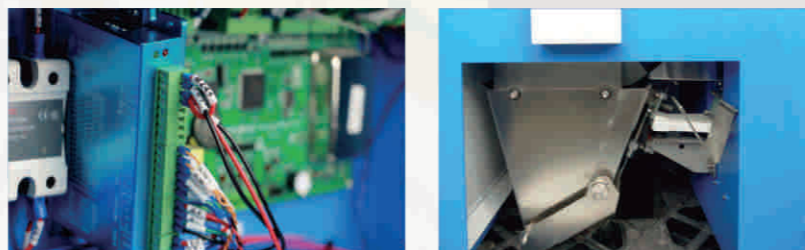
User-friendly Design

- The food contacting materials are all made of S304 stainless steel and can be used for food packaging;
- International premium brand components ensure the product quality.



Communication interface

- Dual serial port RS485;
- Modbus TCP/IP;
- 4G/5G Communication (Optional).



Module Design

Easy installation and dismantling for washing down.



Servo Motor

For feeding control, intelligent auto-adjustment fast and accurate.



USB

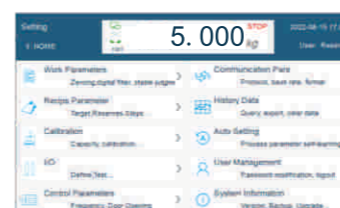
Embedded USB for exporting data and system upgrading.



RS485;

User-friendly design

10-inch color user friendly touch screen and graphical design interface. Simple operation, no need complicated training.



- Parameter interface optimization and upgrade.



- Observing data changes when setting parameters, which is simultaneous and intuitive.

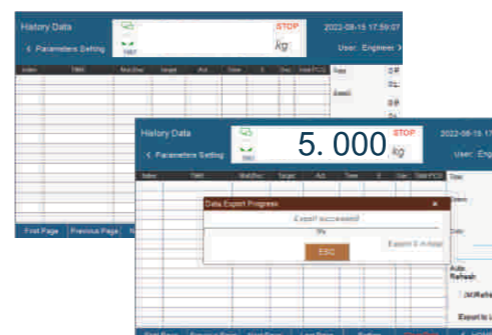


- Calibration according to different materials with step hints to make the field calibration more convenient.



Well-organized data management

- Ten million weight data entries record, power-off data save function.



- Motor parameters: an interface can simultaneously display the motor status and parameters which is easy to debug.



GRANULE PACKING FILLER

(Jumbo Bag Packing Function Available)

AF-50K



10-50kg
Weighing range

±20g
Best accuracy

≥800 + Pcs/h
Speed



Stable Performance



Easy Installation



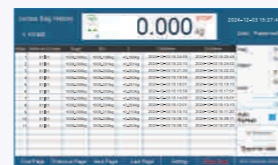
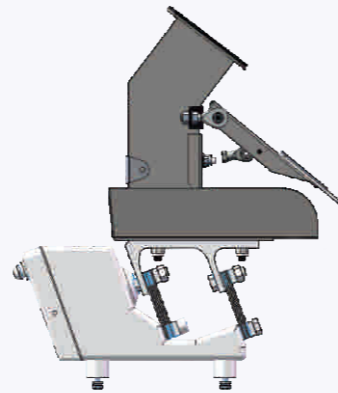
Servo Motor Control



Weighing Accurate

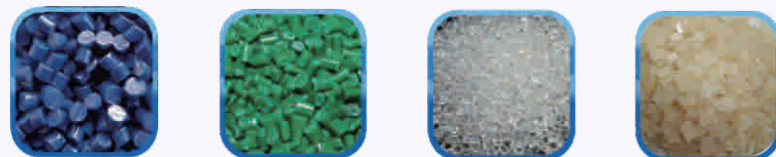
Optional:

- vibrator feeding



Features:

- **Granular material:** design for free-flow granular materials such as plastic particles, rice, sugar and so on ;
- **Module design:** easy dismantling for cleaning;
- **Parameter setting:** self-adjust function with target value set only;
- **Stable performance:** servo motor controls feeding process;
- **Fast and accurate:** 900 pcs/h with fast algorithm , and best accuracy ± 20g.
- **Jumbo bag packing performance:** accuracy: ±500g, speed: 1t/min;
- **Jumbo bag packing function:** multi-pack continuous discharging available, fast feeding for speed and slow feeding of the last pack for accuracy;
- **History record:** every pack's entry and jumbo bag packing data recorded.

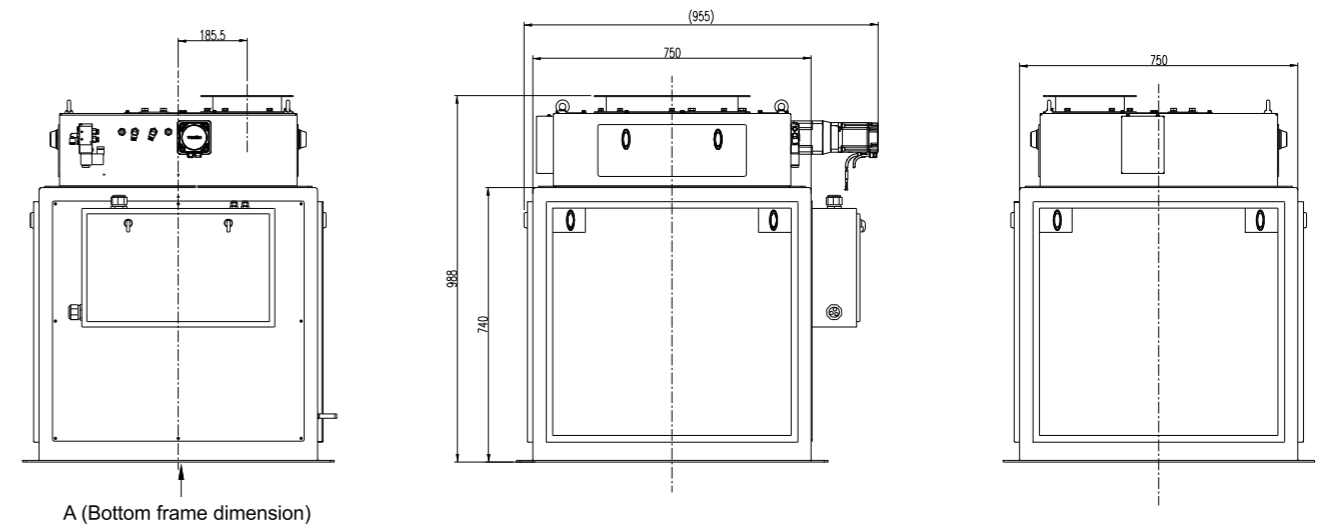


Specification		
Model	PaxGO AF-50K	AF-50K Jumbo Bag Packing
Weighing range	10~50Kg	500kg~50t
Division	1g	1g
Best Accuracy*	±20g	±500g
Speed*	≥800pcs/h(Enable fast algorithm:900 pcs/h)	1t/min
Volume	86L	
Feeding method	Feeding control by servo, pneumatic discharging	
Material	SS304,carbon steel	
I/O	8 output(5V),8 input(24V)	
Communication	RS485,Modbus TCP/IP	
Pneumatic	0.4~0.6MPa	
Power	Single Phase AC-220V ±10%,50/60HZ,1KW	
Working environment	0~40°C , 90%R.H condensation is not allowed	

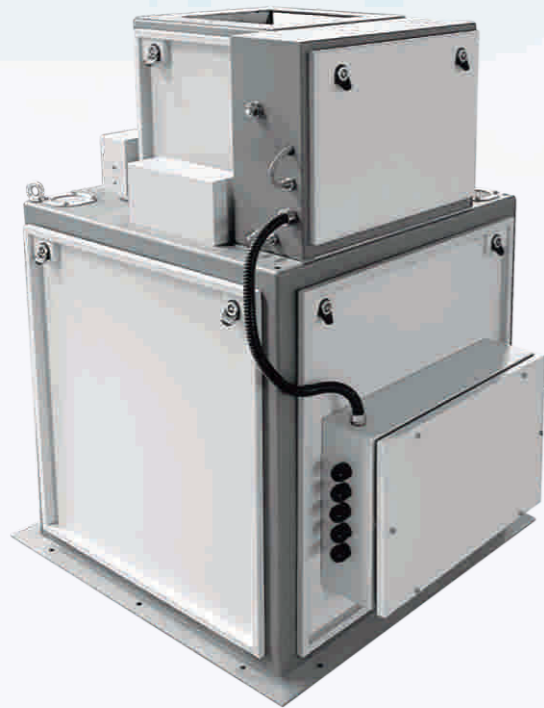
*Normally, the diameter of the testing material 1-5mm.

Structure & Dimension

Unit: mm



PNEUMATIC VERSION AF-50K



25-50kg
Weighing range

±25g
Best accuracy

≥1100 + Pcs/h
Speed



Stable
Performance



Easy
Installation



Pneumatic
Cylinder Control



High Speed
Weighing

Features:

- **Granular material:** design for packing plastic particles, rice, sugar and other granular material;
- **Easy installation:** module design, easy for installation and dismount;
- **Convenient setup:** self-adjust function with target value set only;
- **High-speed performance:** pneumatic cylinder control, speed can reach above 1100pcs/h;
- **Weighing accurate:** weighing range is 25~50kg, best accuracy is ±25g.

Optional:



10-inch touch screen

User-friendly interface design, vivid display, easy to operate.



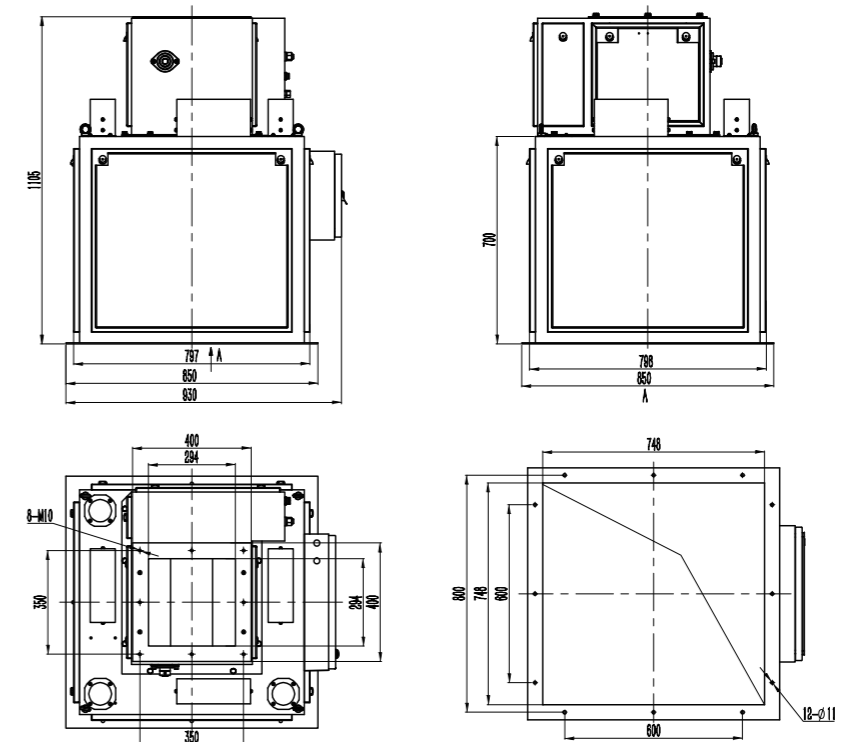
Specification

Model	PaxGO AF-50K Pneumatic Version
Weighing range	25~50Kg
Division	1g
Best Accuracy*	±25g
Speed*	≥1100pcs/h
Volume	86L
Feeding method	Pneumatic cylinder control
Material	SS304, carbon steel
I/O	8 output(5V),8 input(24V)
Communication	RS485,Modbus TCP/IP
Pneumatic	0.4~0.6MPa
Power	Single Phase AC-220V ±10%,50/60HZ,1KW
Working environment	0~40°C, 90%R.H condensation is not allowed

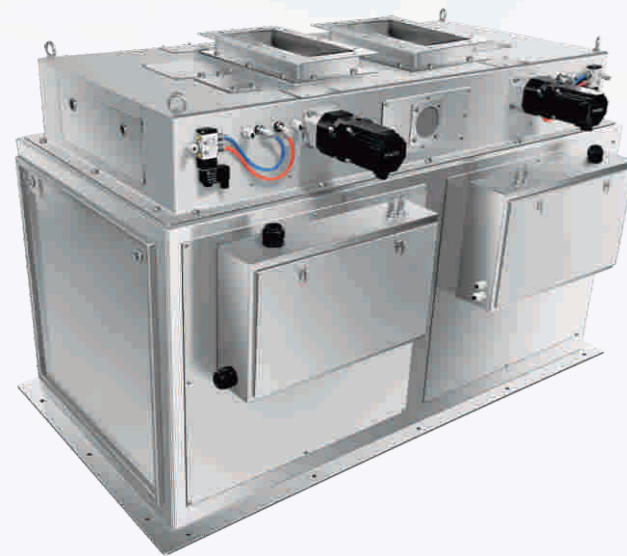
*Normally, the diameter of the testing material 1-5mm.

Structure & Dimension

Unit: mm



DUPLEX PACKING FILLER AF-50K II



10-50kg
Weighing range

±20g
Best accuracy

≥1500 + Pcs/h
Speed



Stable Performance



Easy Installation



Servo Motor Control



Weighing Accurate

Features:

- **Granular material:** design for packing plastic particles, rice, sugar and other granular material;
- **Easy dismounting:** module design of measuring hopper for easy cleaning;
- **Parameter setting:** self-adjust function with target value set only;
- **Stable performance:** servo motor controls feeding process;
- **Fast and accurate:** weighing range is 10-50kg. Speed can reach 1800 pcs/h when the fast algorithm is opened, and best accuracy ± 20g.

Optional:



10-inch touch screen

User-friendly interface design, vivid display, easy to operate.



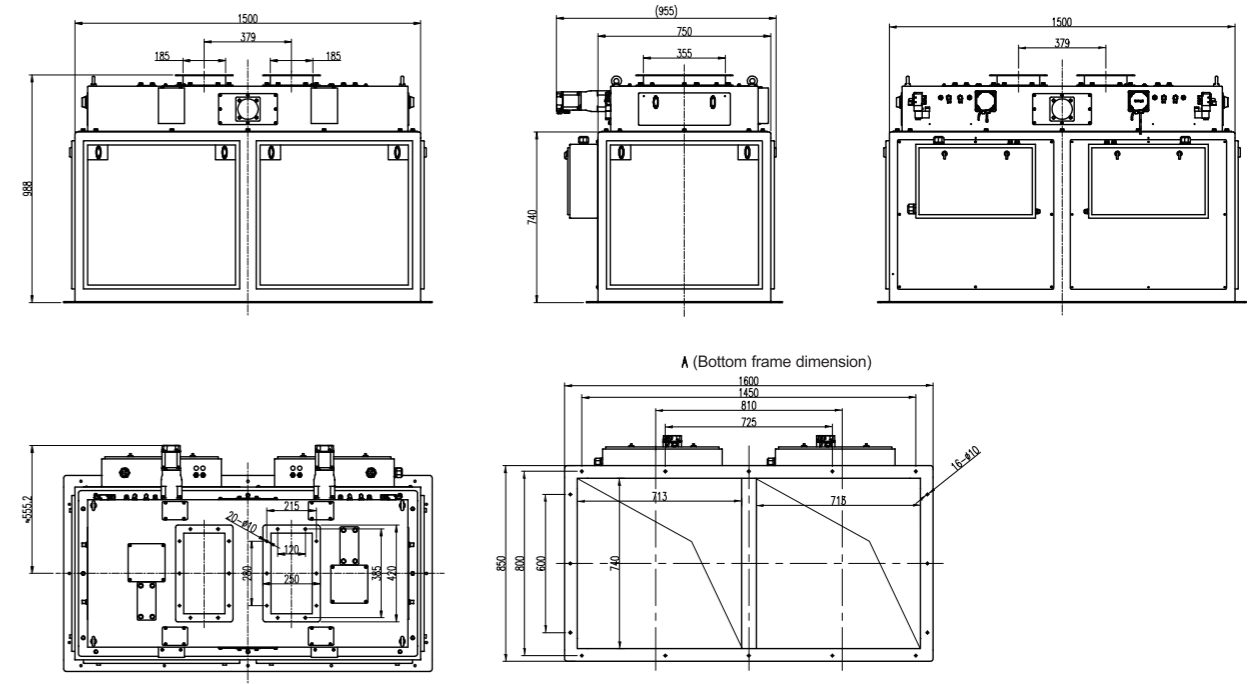
Specification

Model	PaxGO AF-50K II
Weighing range	10~50Kg
Division	1g
Best Accuracy*	±20g
Speed*	≥1500pcs/h(Enable fast algorithm:1800 pcs/h)
Volume	86L x 2
Feeding method	Feeding control by servo, pneumatic discharging
Material	SS304,carbon steel
I/O	8 output(5V),8 input(24V)
Communication	RS485,Modbus TCP/IP
Pneumatic	0.4~0.6MPa
Power	Single Phase AC-220V ±10%,50/60HZ,1KW
Working environment	0~40°C, 90%R.H condensation is not allowed

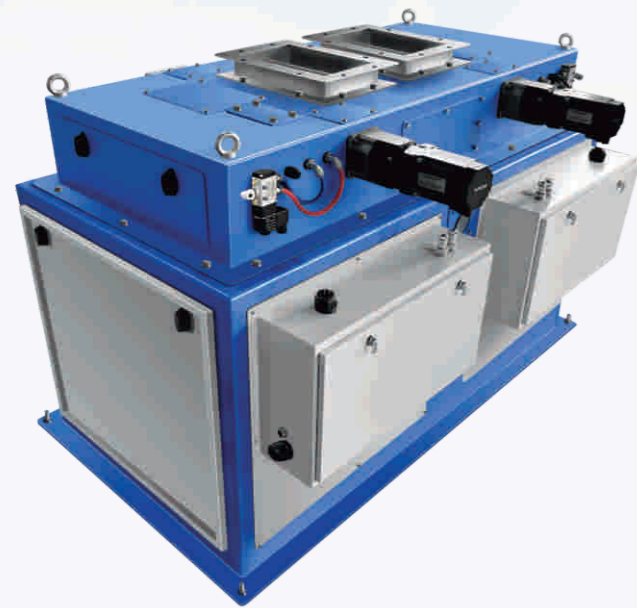
*Normally, the diameter of the testing material 1-5mm.

Structure & Dimension

Unit: mm



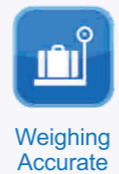
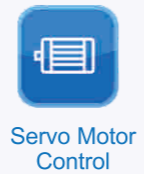
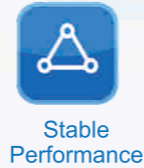
DUPLEX PACKING FILLER AF-25K II



5-25kg
Weighing range

± 10g
Best accuracy

≥ 1600 + Pcs/h
Speed



Features:

- **Granular material:** design for plastic particle, granular fertilizer, feeds and other granular material.
- **Easy dismounting:** module design of measuring hopper for easy cleaning;
- **Parameter setting:** self-adjust function with target value set only;
- **Stable performance:** servo motor controls feeding process;
- **Fast and accurate:** weighing range is 5-25kg. Speed can reach 2400 pcs/h when the fast algorithm is opened, and best accuracy ± 10g.



Optional:



Bag Clamp

- SS304 stainless steel.



10-inch touch screen

- User-friendly interface design, vivid display, easy to operate.

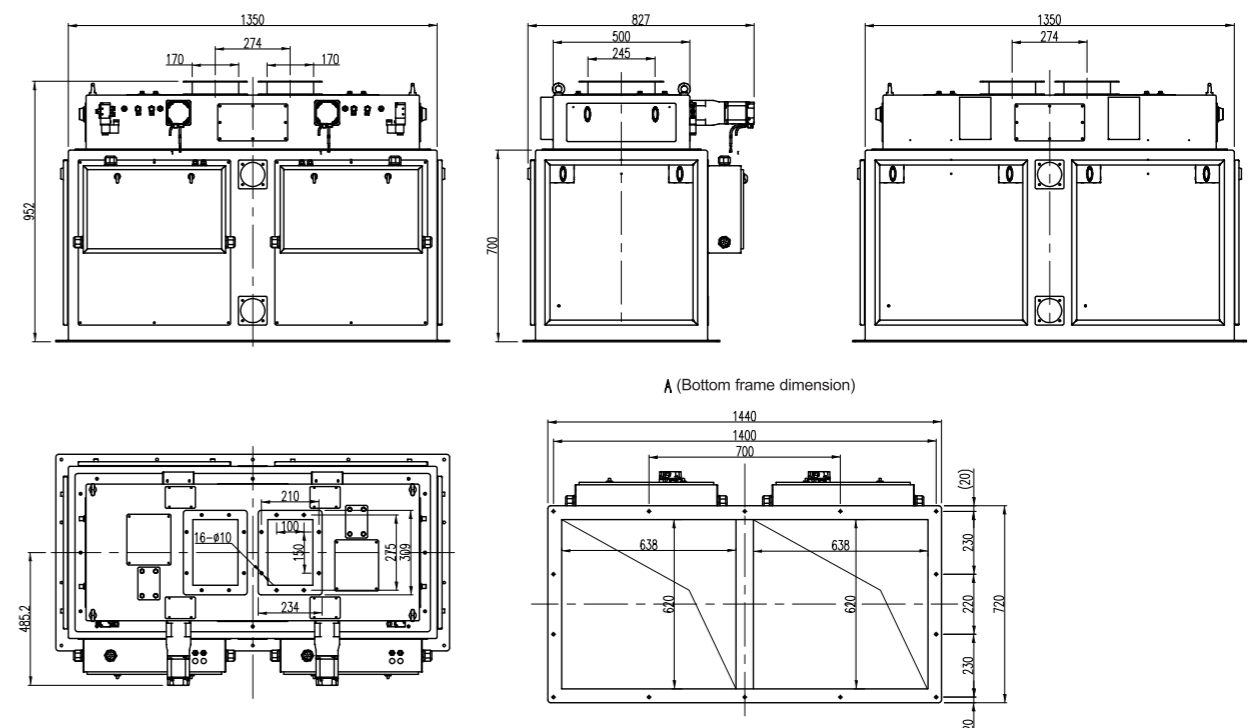
Specification

Model	PaxGO AF-25K II
Weighing range	5~25Kg
Division	1g
Best Accuracy*	±10g
Speed*	≥1600pcs/h(Enable fast algorithm:2400 pcs/h)
Volume	55L x 2
Feeding method	Feeding control by servo, pneumatic discharging
Material	SS304, carbon steel
I/O	8 output(5V),8 input(24V)
Communication	RS485,Modbus TCP/IP
Pneumatic	0.4~0.6MPa
Power	Single Phase AC-220V ±10%,50/60HZ,1KW
Working environment	0~40°C, 90%R.H condensation is not allowed

*Normally, the diameter of the testing material 1-5mm.

Structure & Dimension

Unit: mm



GRANULE PACKING FILLER AF-10K



0.5-10kg
Weighing range

±3g
Best accuracy

≥900 + Pcs/h
Speed



Stable
Performance



Easy
Installation



Servo Motor
Control



Weighing
Accurate

Features:

- **Granular material:** design for rice, millet, beans and other granular material;
- **Easy dismounting:** module design of measuring hopper for easy cleaning;
- **Parameter setting:** self-adjust function with target value set only;
- **Stable performance:** servo motor controls feeding process;
- **Fast and accurate:** weighing range is 0.5-10kg. Speed can reach 1300 pcs/h when the fast algorithm is opened, and best accuracy ± 3g.

Optional:



10-inch touch screen

User-friendly interface design,
vivid display, easy to operate.



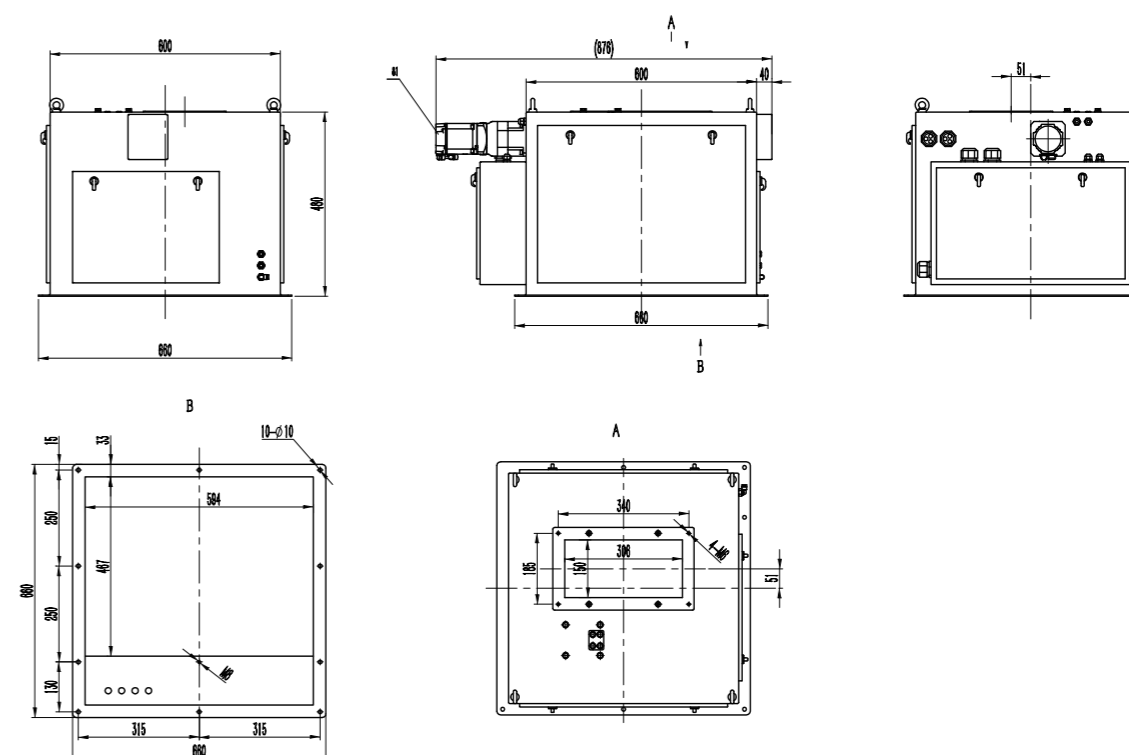
Specification

Model	PaxGO AF-10K
Weighing range	0.5~10Kg
Division	1g
Best Accuracy*	±3g
Speed*	≥900pcs/h(Enable fast algorithm:1300 pcs/h)
Volume	15L
Feeding method	Servo motor+ feeding vibrator, pneumatic discharging
Material	SS304,carbon steel
I/O	8 output(5V),8 input(24V)
Communication	RS485,Modbus TCP/IP
Pneumatic	0.4~0.6MPa
Power	Single Phase AC-220V ±10%,50/60HZ,500KW
Working environment	0~40°C, 90%R.H condensation is not allowed

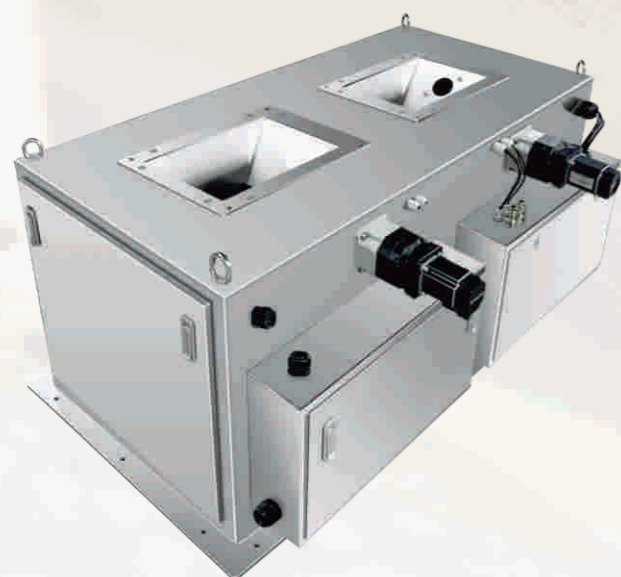
*Normally, the diameter of the testing material 1-5mm.

Structure & Dimension

Unit: mm



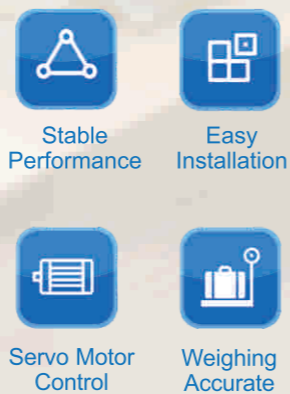
DUPLEX PACKING FILLER AF-10KII



0.5-10kg
Weighing range

±3g
Best accuracy

≥1600 + Pcs/h
Speed



Features:

- **Granular material:** design for rice, millet, beans and other granular material;
- **Easy dismounting:** module design of measuring hopper for easy cleaning;
- **Parameter setting:** self-adjust function with target value set only;
- **Stable performance:** servo motor controls feeding process;
- **Fast and accurate:** weighing range is 0.5-10kg. Speed can reach 2600 pcs/h when the fast algorithm is opened, and best accuracy ± 3g.

Optional:



10-inch touch screen

User-friendly interface design, vivid display, easy to operate.



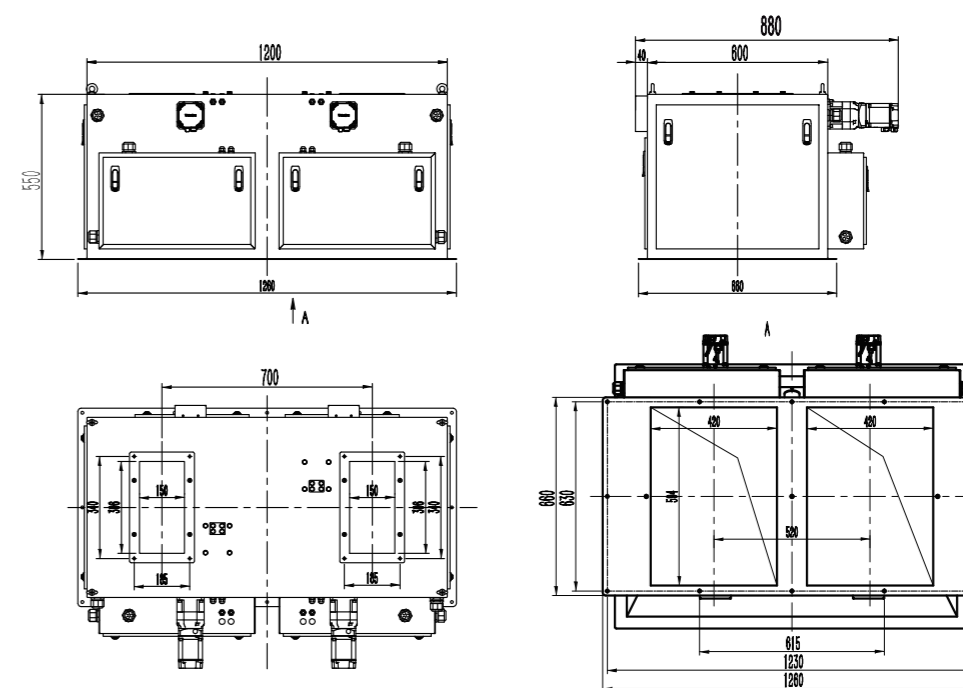
Specification

Model	PaxGO AF-10KII
Weighing range	0.5~10Kg
Division	1g
Best Accuracy*	±3g
Speed*	≥1600 pcs/h(Enable fast algorithm:2600 pcs/h)
Volume	15L x 2
Feeding method	Servo motor + feeding vibrator , pneumatic discharging
Material	SS304,carbon steel
I/O	8 output(5V),8 input(24V)
Communication	RS485, Modbus TCP/IP
Pneumatic	0.4~0.6MPa
Power	Single Phase AC-220V ±10%,50/60HZ,500KW
Working environment	0~40°C , 90%R.H condensation is not allowed

*Normally, the diameter of the testing material 1-5mm.

Structure & Dimension

Unit: mm



GRANULE PACKING FILLER AF-5K



0.25-5kg
Weighing range



Stable Performance



Easy Installation

±2g
Best accuracy



Servo Motor Control



Weighing Accurate

≥1000 + Pcs/h
Speed

Features:

- **Granular material:** design for rice, millet, beans and other granular material;
- **Easy dismounting:** module design of measuring hopper for easy cleaning;
- **Parameter setting:** self-adjust function with target value set only;
- **Stable performance:** servo motor controls feeding process;
- **Fast and accurate:** weighing range is 0.25-5kg. Speed can reach 1400 pcs/h when the fast algorithm is opened, and best accuracy ±2g.



• User-friendly interface design, vivid display, easy to operate.

Specification

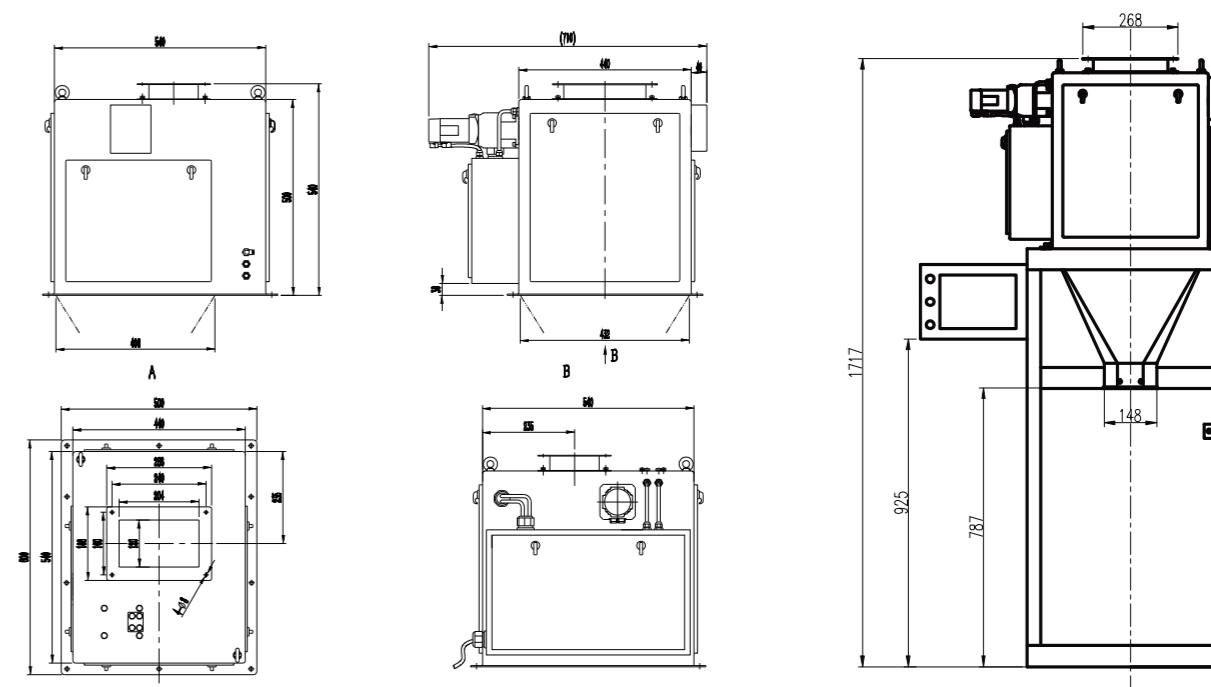
Model	PaxGO AF-5K
Weighing range	0.25~5Kg
Division	1g
Best Accuracy*	±2g
Speed*	≥1000 pcs/h(Enable fast algorithm:1400 pcs/h)
Volume	11L
Feeding method	Servo motor+feeding vibrator , pneumatic discharging
Material	SS304,carbon steel
I/O	8 output(5V),8 input(24V)
Communication	RS485, Modbus TCP/IP
Pneumatic	0.4~0.6MPa
Power	Single Phase AC-220V ±10%,50/60HZ,500KW
Working environment	0~40°C , 90%R.H condensation is not allowed

*Testing material: rice,speed:1600pcs/h,accuracy: ±2 g

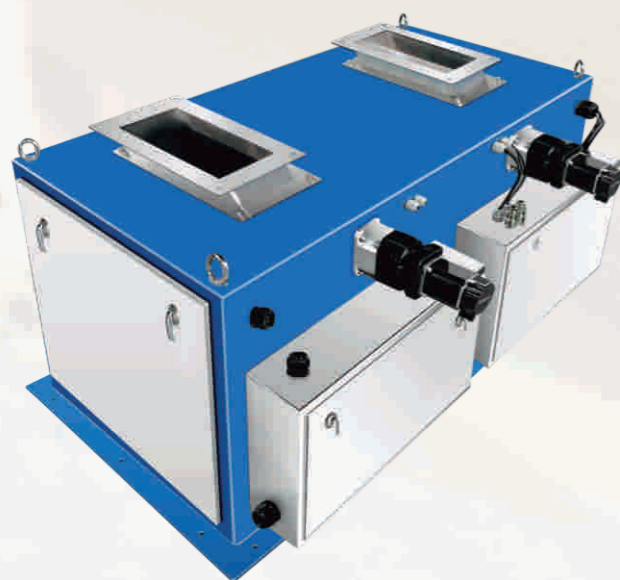
*Normally, the diameter of the testing material 1-5mm

Structure & Dimension

Unit: mm



DUPLEX PACKING FILLER AF-5KII



0.25-5kg
Weighing range

±2g
Best accuracy

≥1600 + Pcs/h
Speed



Features:

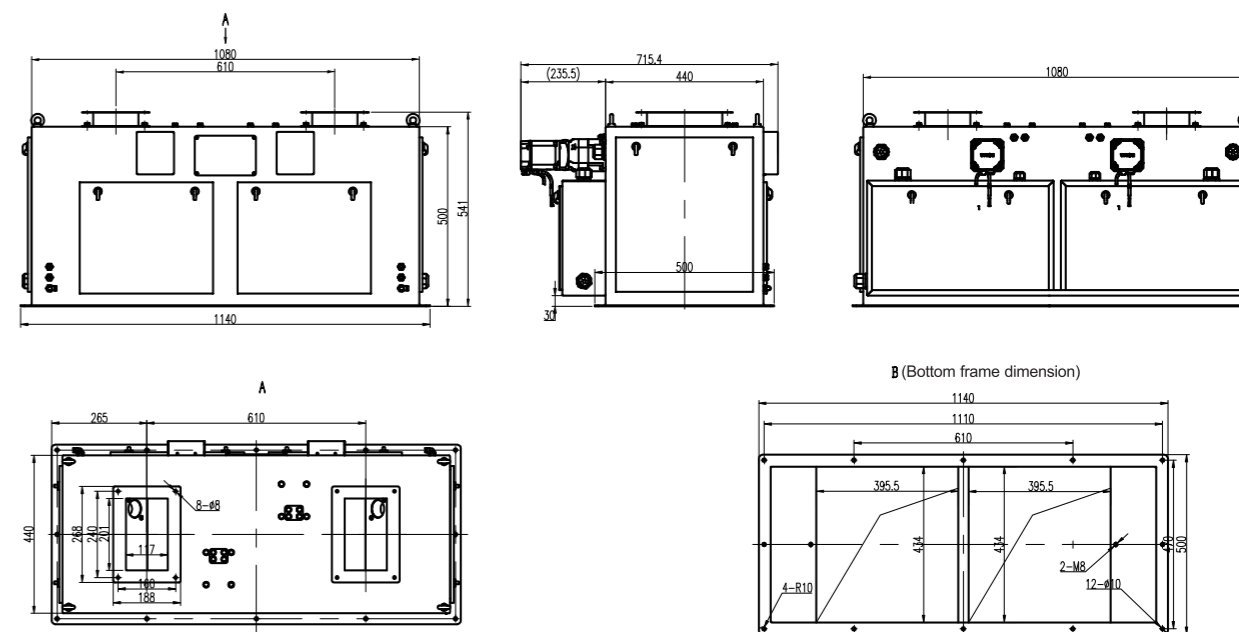
- **Granular material:** design for rice, millet, beans and other granular material;
- **Easy dismounting:** module design of measuring hopper for easy cleaning;
- **Parameter setting:** self-adjust function with target value set only;
- **Stable performance:** servo motor controls feeding process;
- **Fast and accurate:** weighing range is 0.25-5kg. Speed can reach 2800 pcs/h when the fast algorithm is opened, and best accuracy ± 10g.



Specification	
Model	PaxGO AF-5KII
Weighing range	0.25~5Kg
Division	1g
Best Accuracy*	±2g
Speed*	≥1600 pcs/h(Enable fast algorithm:2800 pcs/h)
Volume	11L x 2
Feeding method	Servo motor+feeding vibrator , pneumatic discharging
Material	SS304,carbon steel
I/O	8 output(5V),8 input(24V)
Communication	RS485, Modbus TCP/IP
Pneumatic	0.4~0.6MPa
Power	Single Phase AC-220V ±10%,50/60HZ,500KW
Working environment	0~40°C , 90%R.H condensation is not allowed

*Testing material: rice, speed: 1600pcs/h, accuracy: ±2 g
*Normally, the diameter of the testing material 1-5mm

Structure & Dimension Unit: mm



GRANULE PACKING FILLER AF-1K



50g - 1kg
Weighing range

±2g
Best accuracy

1800 + Pcs/h
Highest speed



Stable
Performance



Easy
Installation



Pneumatic
Cylinder Control



High Speed
Weighing

Features:

• High speed and accuracy:

the highest speed can reach 1800pcs/h and the best accuracy is ±2g;

• Granular materials:

special designed for small weighing range packages, like rice, millet, beans and so on;

• Stable performance:

step motor + vibrator feeding-type, pneumatic discharging-type;

• Parameter setting:

self-adjust function with target value set only, easy operation.



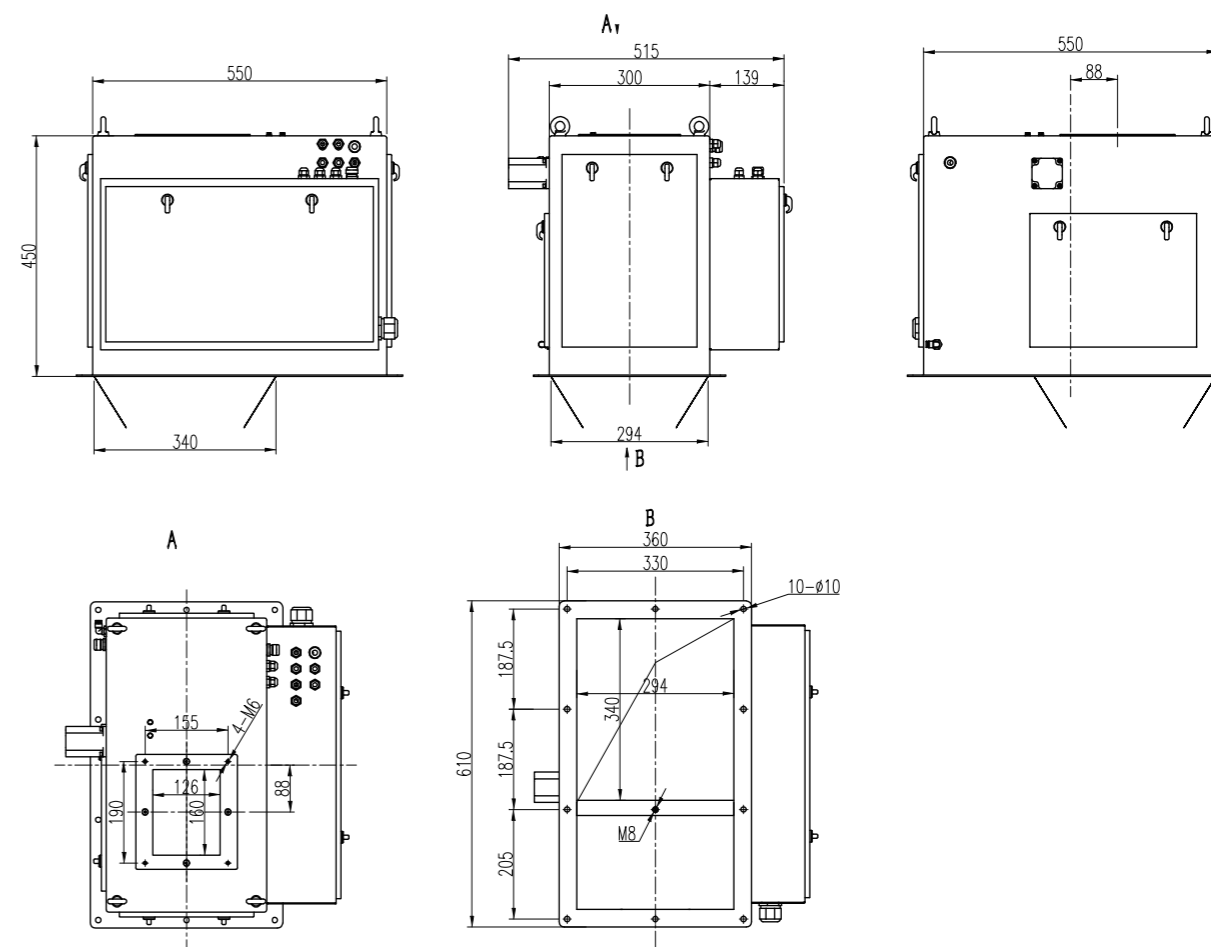
Specification

Model	PaxGO AF-1K
Weighing range	0.05~1Kg
Division	1g
Best Accuracy*	±2g
The highest speed*	1800 pcs/h
Volume	2.8L
Feeding method	Step motor + vibrator feeding-type, pneumatic discharging-type;
Material	Carbon steel/stainless steel optional
Communication	RS485, Modbus TCP/IP
Pneumatic	0.4~0.6MPa 2m ³ /h
Power	AC 220V ±10%,50/60HZ,200KW
Working environment	0~40°C, 90%R.H condensation is not allowed

*Normally, the diameter of the testing material 1-5mm.

Structure & Dimension

Unit: mm



DUPLEX PACKING FILLER AF-1KII



50g - 1kg
Weighing range

±2g
Best accuracy

3600 + Pcs/h
Highest speed



Stable Performance



Easy Installation



Pneumatic Cylinder Control



High Speed Weighing

Features:

- **High speed and accuracy:**

the highest speed can reach 3600pcs/h and the best accuracy is ±2g;

- **Granular materials:**

special designed for small weighing range packages, like rice, millet, beans and so on;

- **Stable performance:**

step motor + vibrator feeding-type, pneumatic discharging-type,

- **Parameter setting:**

self-adjust function with target value set only, easy operation.



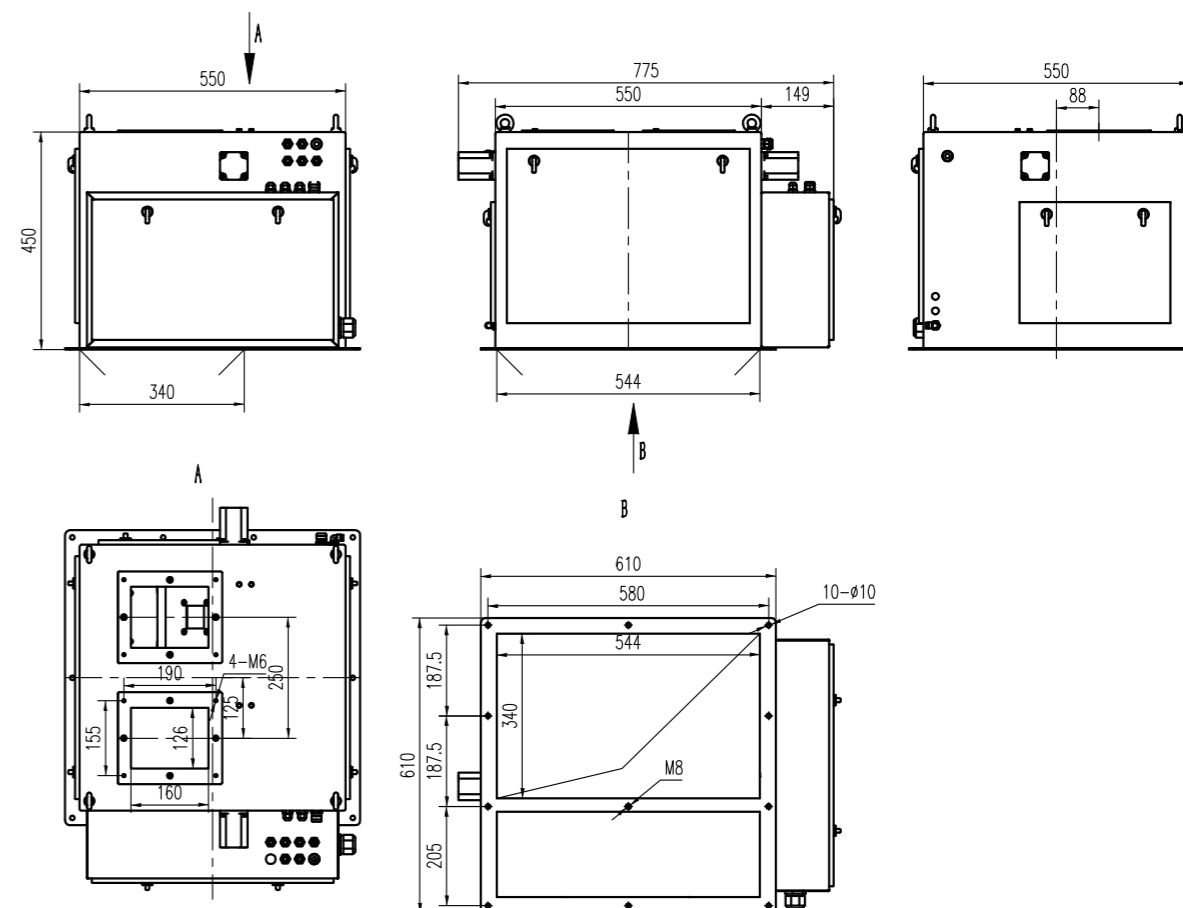
Specification

Model	PaxGO AF-1KII
Weighing range	0.05~1Kg
Division	1g
Best Accuracy*	±2g
The highest speed*	3600 pcs/h
Volume	2.8L x 2
Feeding method	Step motor + vibrator feeding-type, pneumatic discharging-type;
Material	Carbon steel/stainless steel optional
Communication	RS485, Modbus TCP/IP
Pneumatic	0.4~0.6MPa 2m ³ /h
Power	AC 220V ±10%,50/60HZ,400KW
Working environment	0~40°C, 90%R.H condensation is not allowed

*Normally, the diameter of the testing material 1-5mm.

Structure & Dimension

Unit: mm



ENTERPRISE PROFILE

General Measure established in 1993, as one of China's earliest industrial weighing company who is also a national high-tech enterprise, has over 50 people in the R&D team. For decades, we have been committed to improving the automatic process of industrial weighing and the precision of weighing control.

In 2003, we began to open the overseas market. Since 2006, General Measure dominated the high-end market and occupying more than 25% of the market in China. To expand the global business scale, we have been focusing on overseas markets since 2012. It has been seen that the average sales growth is above 30% every year.

We will continue to provide reliable industrial weighing indicators and equipment with excellent performance and weighing solutions with innovative value to our partners. Listening, Innovating, and growing together is our value, which guides us to achieve win-win cooperation by helping clients achieve their goals.



30+
years
Industry Experience



50+
Country Sales



200+
R&D Patents



2000+
Applications



CUSTOMER CASE

Multi-applications

GM products are widely used in lithium battery, Chemical industry, building materials, foods, feed chemicals, pharmaceutical industries and etc.



Chemical industry



Grain industry



Feed industry



Building materials industry



Logistics industry



Chemical industry



Fertilizer industry



Lithium battery industry



Chemical industry