



LinkedIn



Facebook



Wechat



# ChexGo Series

Dynamic Checkweigher



## General Measure Technology Co.,Ltd.

Address: Room2208, Block A, Building 6, Shenzhen International Innovation Valley,  
Nanshan District, Shenzhen, Guangdong Province, P.R.China.

Tel/Wechat: +86 185 6585 5789

E-mail: [xjlv@szgmt.com](mailto:xjlv@szgmt.com)

Website: [www.gmweighing.com](http://www.gmweighing.com)

# ENTERPRISE PROFILE

General Measure established in 1993, as one of China's earliest industrial weighing company who is also a national high-tech enterprise, has over 50 people in the R&D team. For decades, we have been committed to improving the automatic process of industrial weighing and the precision of weighing control.

In 2003, we began to open the overseas market. Since 2006, General Measure dominated the high-end market and occupying more than 25% of the market in China. To expand the global business scale, we have been focusing on overseas markets since 2012. It has been seen that the average sales growth is above 30% every year.

We will continue to provide reliable industrial weighing indicators and equipment with excellent performance and weighing solutions with innovative value to our partners. Listening, Innovating, and growing together is our value, which guides us to achieve win-win cooperation by helping clients achieve their goals.



30+ years  
Industry Experience



50+  
Country Sales



200+  
R&D Patents



2000+  
Applications



## Weasy -- Weighing Easy



Designed for dynamic weighing application



30+years R&D experience in weighing control

**ChexGo Series** checkweigher with the feature of high speed, accuracy and stable performance can work well in the harsh industrial environment. Assuring the 100% product weighing detection under the law and regulation, it will reduce the customer complains and protect enterprise fame. Whilst replacing the manpower to lower the cost, ChexGo can help you to increase efficiency of the production line and avoid risks.



Easy operation



Accurate weighing



Abundant function



Stable and reliable



## Stable, flexible and accurate design

**Indicator Light**  
Makes the weight result more visible.

**10-inch touch screen**  
10-inch color user friendly touch screen and graphical design interface.

**Control System**  
30+ years' experience in inventing and innovating.

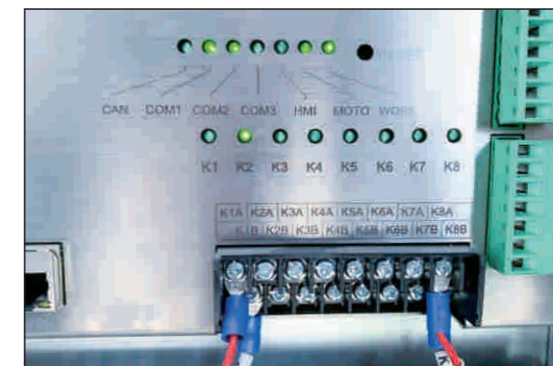
**Feet**  
Designed feet for preventing vibration with flexible margin adjustment.

Module design for troubleshooting, maintenance and change parts.



## Abundant function, easy integration

- Standard Modbus TCP/IP, RS485 communication
- Support connecting to labeling machine, ink-jet printer
- Support connecting to printer to print weighing data records.



DATE:	2020.6.18	Up separate line	Print date
TIME:	15:31	Print time	Product code
PRODUCT CODE:	1	Tare value	0.000kg
TARE WT:	0.000kg	Overweight value	0.030kg
UP LIM:	0.030kg	Target weight	8.135kg
REF WT:	8.135kg	Underweight value	0.030kg
LOW LIM:	0.030kg	Total pass time	1
PASS CT:	1	Total pass weight	8.140kg
PASS WT:	8.140kg	Average pass weight	8.140kg
PASS AVR:	8.140kg	Pass rate	100.00%
PASS RATE:	100.00%	Total overweight time	0
OVER CT:	0	Total overweight value	0.000kg
OVER WT:	0.000kg	Total underweight time	0
UNDER CT:	0	Total underweight value	0.000kg
UNDER WT:	0.000kg	Total test time	1
TOTAL CT:	1	Total test weight	8.140kg
TOTAL WT:	8.140kg	Minimum weight	8.140kg
MIN WT:	8.140kg	Maximum weight	8.140kg
MAX WT:	8.140kg	Down separate line	

### Printing Function

When communication is set as print and checkweigher is connected to the printer, the weighing data records can be printed on the interface of statistic result or by sending the print order via communication.

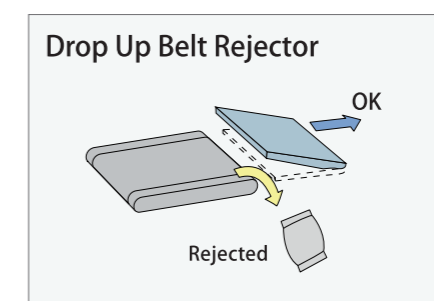
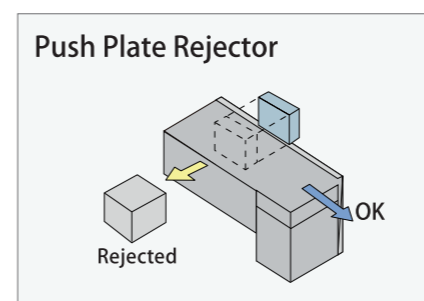
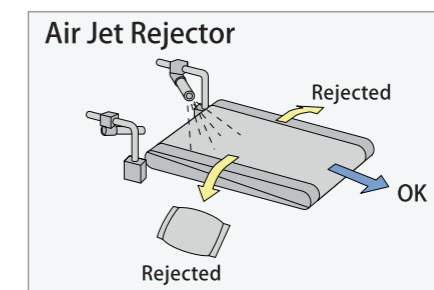
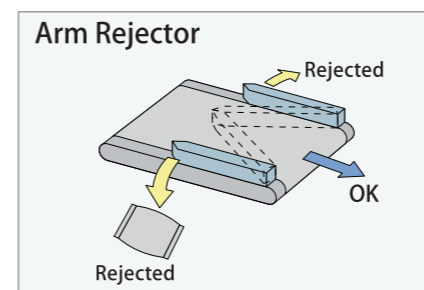


### USB Memory Port

- Data acquisition;
- Program update.

## Multi-type Rejector

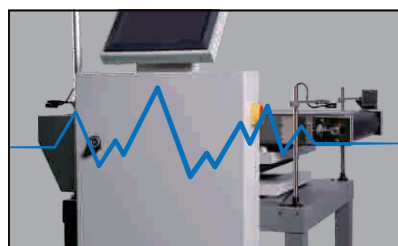
Multi-Rejector option, flap method, swing arm, push type – flexible design.



## High efficient and better performance

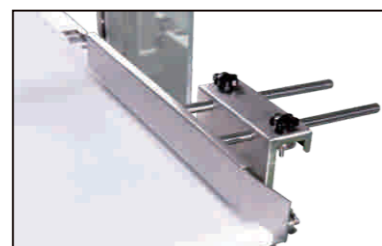
### Anti-interference design

Professional circuit design, the weighing control box is passed EMC test, which can resist the power and electromagnet interference and maintain the stable operating.



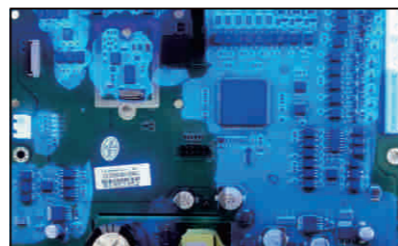
### Adjustable material orientation guider

- Ensure the object stable moving;
- Decrease the vibration;
- S304 Stainless steel.



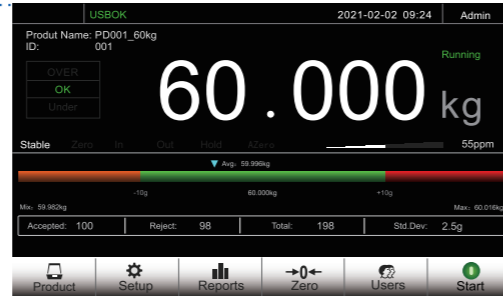
### Anti-corrosion paint protection

All control panel is protected by anti-corrosion paint, which is moisture proof, dust proof, insulation and anti-vibration.

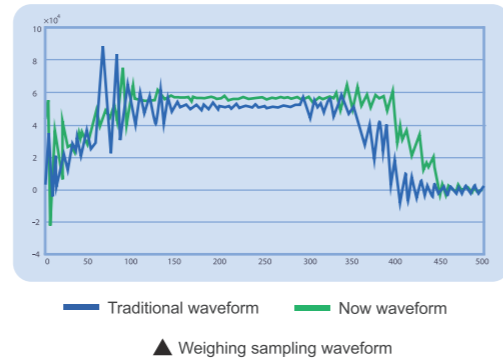


## User-friendly design

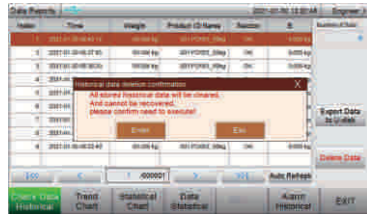
- 10-inch color user friendly touch screen and graphical design interface. Simple operation without professional training.



- Advanced and sophisticated software algorithm makes sure the accuracy, as well as high speed dynamic responses.



- A million product formula storage. Users/Admin can easy add or delete data.

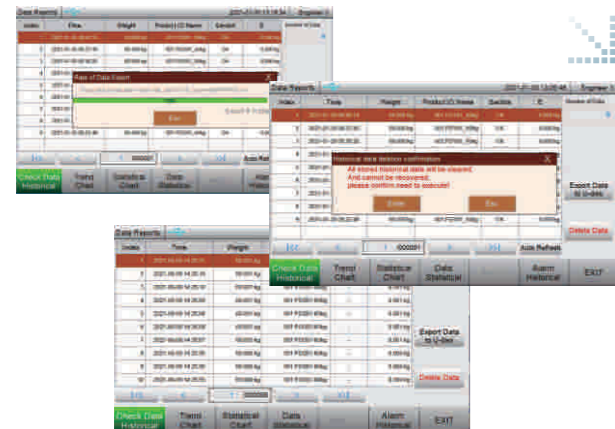


- 3 levels of administration authority for well-organized management.

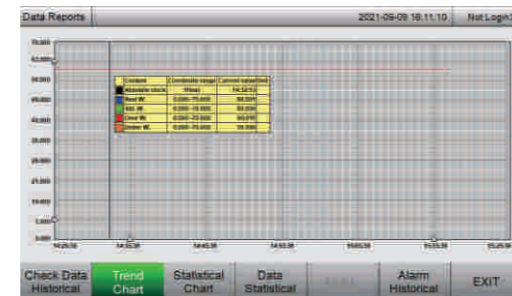


## Well-organized data management

- A million data details record including serial number, time and result for admin to check errors. Data summary report can be exported through USB and RS485.



- Weight fluctuation chart reflects the product's weight conditions from the macro perspective.



## 目录

### Checkweigher

CW-100G	Dynamic Checkweigher	07
CW-100G-Pro	Dynamic Checkweigher	09
CW-600G	Dynamic Checkweigher	11
CW-1.2K	Dynamic Checkweigher	13
CW-3K	Dynamic Checkweigher	15
CW-6K	Dynamic Checkweigher	17
CW-15K	Dynamic Checkweigher	19
CW-30K	Dynamic Checkweigher	21
CW-60K	Dynamic Checkweigher	23
CW-60K(For cement industry)	Dynamic Checkweigher	25
CW-60K-V	Vertical Checkweigher	27
CW-2.5T	Jumbo Bag Checkweigher	29

### Checkweigher With Metal Detector

CW-1.2K	Checkweigher With Metal Detector	31
CW-3K	Checkweigher With Metal Detector	33
CW-6K	Checkweigher With Metal Detector	35

### Weight Check & Sorting Machine

CW-1.2K(Sorting 5 To 7 Grades)	Weight Check & Sorting Machine	37
CW-1.2K(Sorting Up To 11 Grades)	Weight Check & Sorting Machine	39
CW-6K	Weight Check & Sorting Machine	41

# DYNAMIC CHECKWEIGHER CW-100G

- This product is widely used in pharmaceutical production lines for highest weighing accuracy and repeatability;
- The checkweigher monitor manufacturing efficiencies and provide real-time data on your process;
- Product completeness and trends also provide feedback data to production line;
- It is also used in the application of checking completeness of secondary package to identify any missing items.

## Multiple industrial application



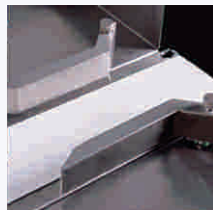
Food



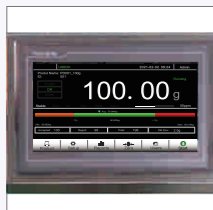
Pharmacy



Accessories



**500g**  
Maximum capacity



**±0.1g**  
Best accuracy



**180 Pcs/min**  
Highest speed

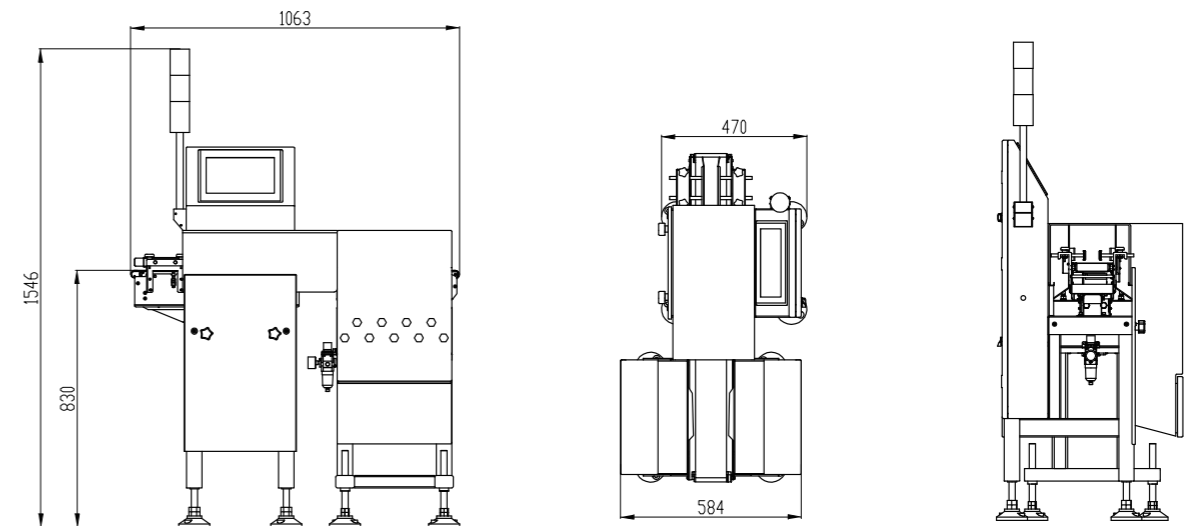
## Standard specification

Model	CW-100G
Maximum capacity	500g
Scale division	0.05g
Best accuracy*	±0.1 g
Highest weighing speed*	180 pcs/min
Belt speed	5~60 m/min
Belt size	250×100mm
Weighing platform height *	830±50mm
Belt material	PU (white)
Structure of the material	Carbon steel, S304 stainless steel (weighing platform)
Alarm light	3-color signal light (Red, yellow, green) , Optional buzzer
Display size	10-inch color touch screen
Rejector lineup	Options: swing type, air blow type, push type or lift up type rejector
Power	Single Phase AC-220V ±10%, 50/60HZ ,225W
Operating temperature	0~40°C
IP grade	IP54 ,IP65 Optional

\*Depend on the weight, size, and material of test object. Test accuracy: 0.1g at 100pcs/min; 0.3g at 180pcs/min.

## Dimensions

Unit:mm



# DYNAMIC CHECKWEIGHER CW-100G Pro

- This product is widely used in pharmaceutical production lines for highest weighing accuracy and repeatability;
- The checkweigher monitor manufacturing efficiencies and provide real-time data on your process;
- Product completeness and trends also provide feedback data to production line;
- It is also used in the application of checking completeness of secondary package to identify any missing items.

## Multiple industrial application



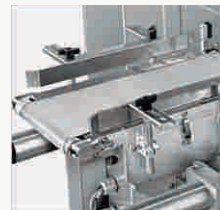
Food



Pharmacy



Accessories



**500g**  
Maximum capacity



**±0.1g**  
Best accuracy



**300 Pcs/min**  
Highest speed



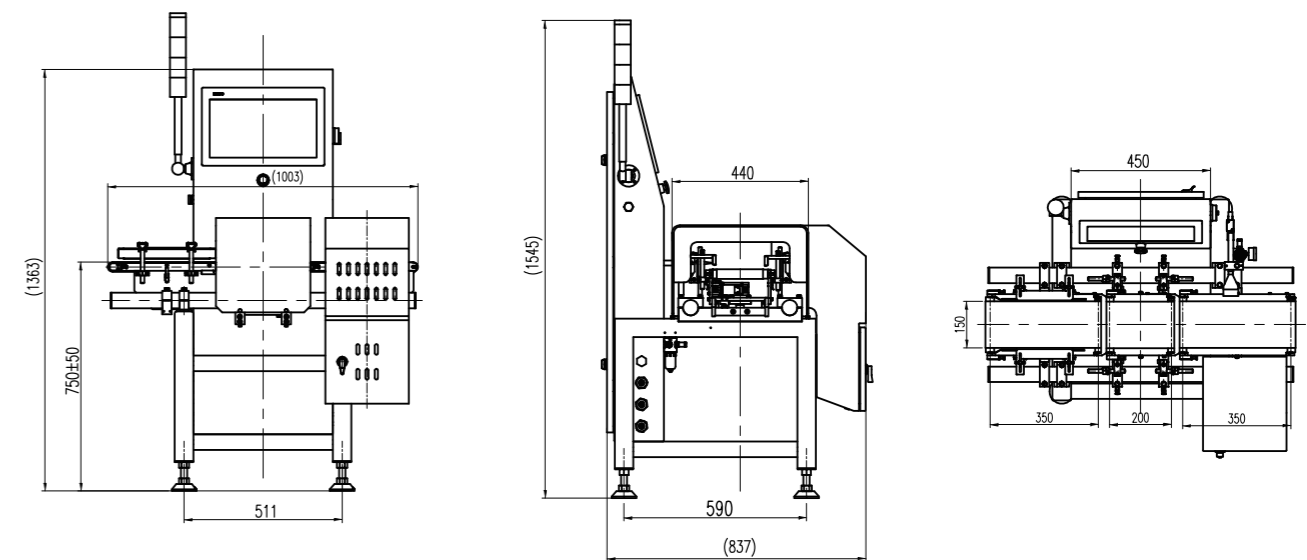
## Standard specification

Model	CW-100G Pro
Maximum capacity	500g
Scale division	0.05g
Best accuracy*	±0.1 g
Highest weighing speed*	300 pcs/min
Belt speed	10~70 m/min
Belt size	200×150 mm
Weighing platform height*	750±50mm
Belt material	PU (white)
Structure of the material	S304 stainless steel
Alarm light	3-color signal light (Red, yellow, green) , Optional buzzer
Display size	15-inch color touch screen
Rejector lineup	Options: swing type, air blow type, push type
Power	Single Phase AC-220V ±10%, 50/60HZ ,375W
Operating temperature	0~45°C
IP grade	IP65

\*Depend on the weight, size, and material of test object. Test accuracy: 0.1g at 120pcs/min | 0.2g at 200pcs/min

## Dimensions

Unit:mm



# DYNAMIC CHECKWEIGHER CW-600G

- This checkweigher is suitable for standard applications in food and other industries;
- System can store 100 product options for a wide variety of open or closed products in food and industrial production environments;
- System can be intergrated with metal detector.

## Multiple industrial application



Food



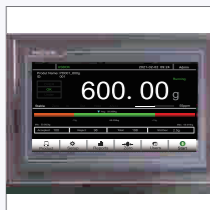
Chemical



Accessories



**600g**  
Maximum capacity



**±0.5g**  
Best accuracy



**200 Pcs/min**  
Highest speed



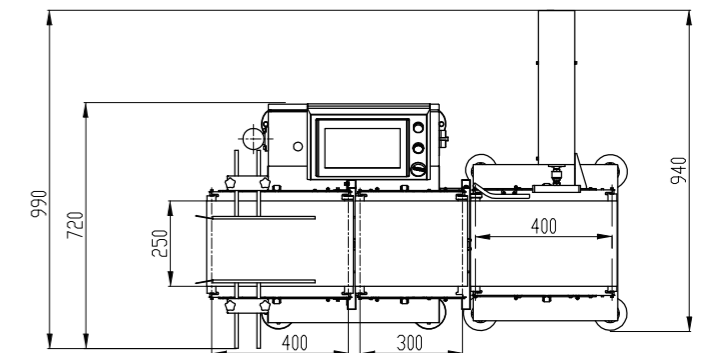
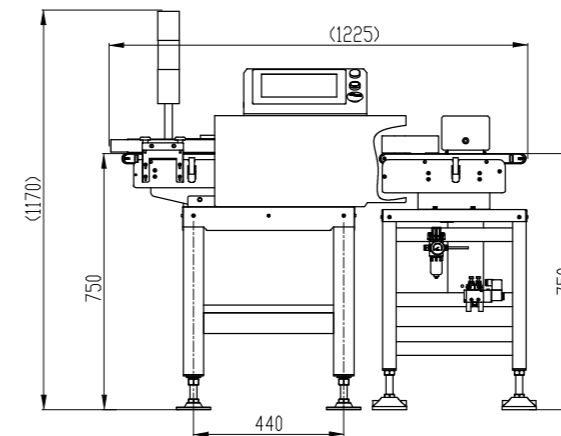
## Standard specification

Model	CW-600G
Maximum capacity	600g
Scale division	0.1g
Best accuracy*	±0.5g
Highest weighing speed*	200 pcs/min
Belt speed	5~60 m/min
Belt size	300×250mm
Weighing platform height*	750±50mm
Belt material	PU (white)
Structure of the material	Carbon steel, S304 stainless steel (weighing platform)
Alarm light	3-color signal light (Red, yellow, green) , Optional buzzer
Display size	10-inch color touch screen
Rejector lineup	Options: swing type, air blow type, push type
Power	Single Phase AC-220V ±10%, 50/60HZ ,300W
Operating temperature	0~40°C
IP grade	IP54 ,IP65 Optional

\* Depend on the weight, size, and material of test object. Test accuracy: 0.5g at 200pcs/min

## Dimensions

Unit:mm



# DYNAMIC CHECKWEIGHER CW-1.2K

- For pouches, bags, and soft-sided containers, bottles;
- S304 stainless steel frame is standard;
- 10-inch touch screen, can store over 1 million transaction, data export through USB;

## Multiple industrial application



Food



Grain



Chemical



High Cabinet



Low Cabinet



**1200g**  
Maximum capacity



**±0.5g**  
Best accuracy



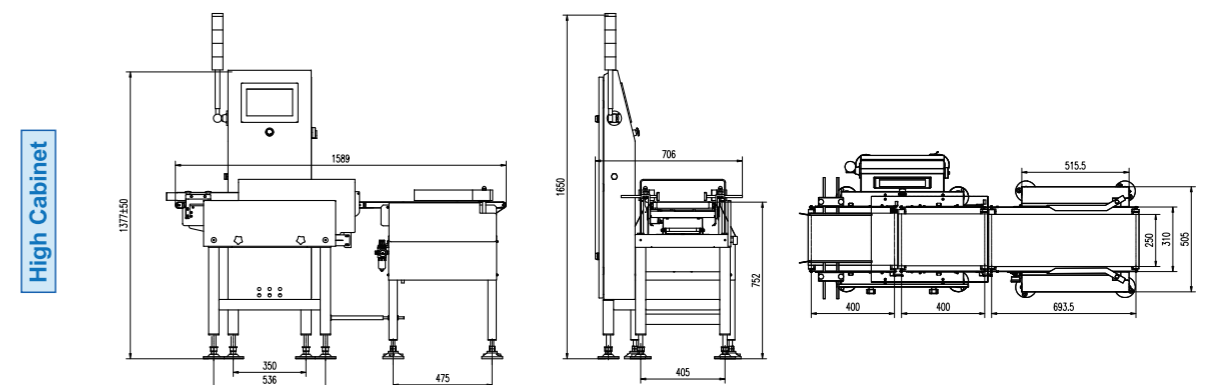
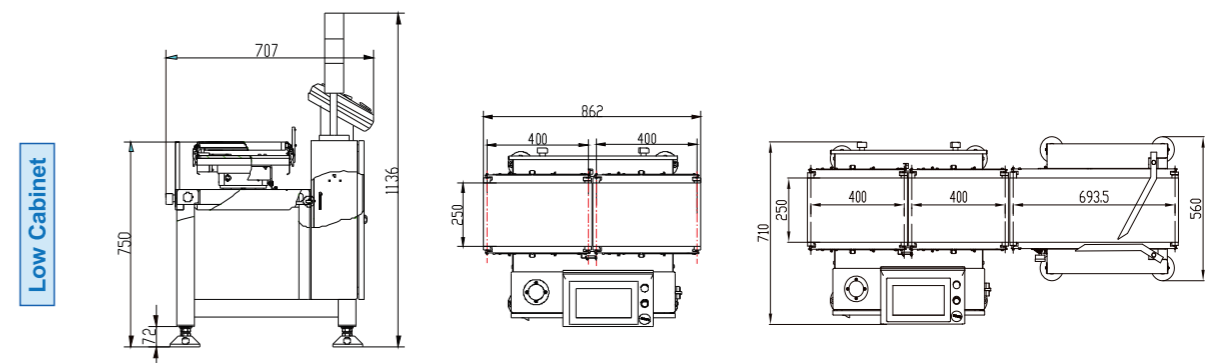
**200 Pcs/min**  
Highest speed

Standard specification	
Model	CW-1.2K
Maximum capacity	1200g
Scale division	0.1g
Best accuracy*	± 0.5g
Highest weighing speed*	200 pcs/min
Belt speed	5~50 m/min
Belt size	400x250mm
Weighing platform height*	750±50mm
Belt material	PU (white)
Structure of the material	S304 stainless steel
Alarm light	3-color signal light (Red, yellow, green) , Optional buzzer
Display size	10-inch color touch screen
Rejector lineup	Options: swing type, push type
Power	Single Phase AC-220V ±10%, 50/60HZ ,300W
Operating temperature	0~40°C
IP grade	IP54,IP65 Optional

\* Depend on the weight, size, and material of test object. Test accuracy: 1g at 120pcs/min

## Dimensions

Unit:mm





# DYNAMIC CHECKWEIGHER

## CW-3K

- CW-3K check weigher is suitable for product weight range from 0.3~3kg;
- Best weighing accuracy  $\pm 0.5$ g;
- 10-inch touch screen, can store over 1 million transaction, data export through USB;
- It is widely used for food and beverage, pet food, daily use chemical industry, and so on.

### Multiple applications



**3 kg**  
Maximum capacity



**$\pm 0.5$ g**  
Best accuracy



**150 Pcs/min**  
Highest speed

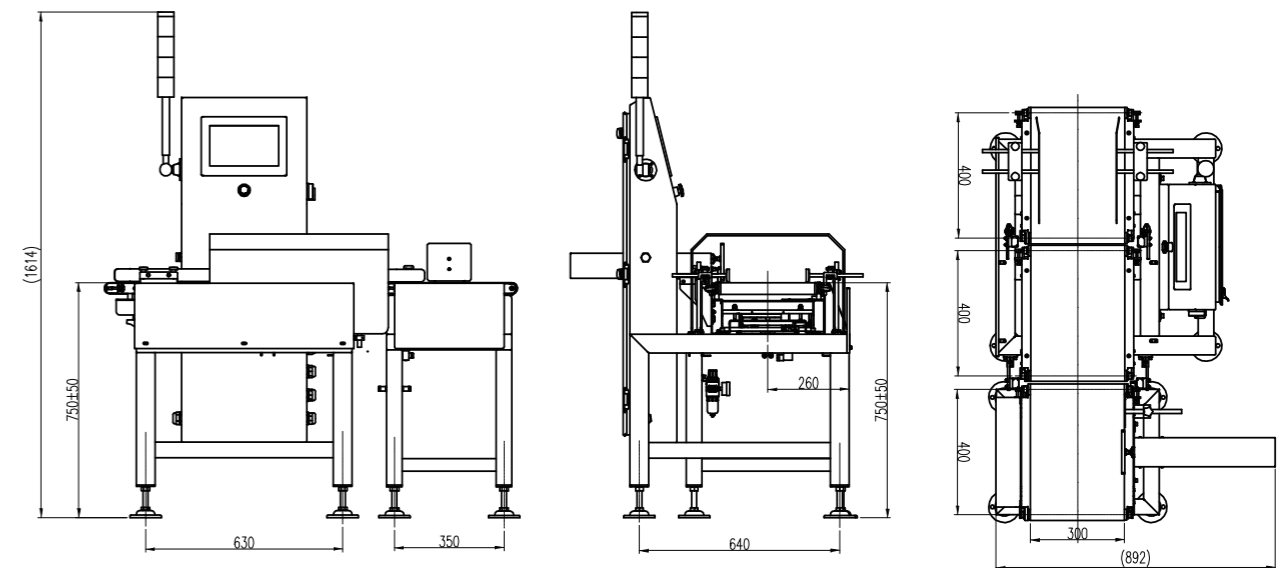


### Specification

Model	CW-3K
Maximum capacity	3kg
Best accuracy*	$\pm 0.5$ g
Highest weighing speed*	150pcs/min
Belt speed	10~90m/min
Belt size	400mm*300mm
Roller distance(center)	400mm
Weighing platform height*	750 ( $\pm 50$ mm ) (customizable)
Structure of the material	S304
Belt material	PU(white)
Alarm light	3-color signal light (Red, yellow, green)
Display size	10-inch color touch screen
Rejector lineup	Options: swing type, push type
Power	AC220V $\pm 10\%$ , 50/60Hz, 675W
Temperature	0~40°C
Humidity	90% R.H No Condensation
Limit load	The instantaneous limit load shall not exceed 5 kg

### Dimensions

Unit:mm



# DYNAMIC CHECKWEIGHER CW-6K

- CW-6K check weigher is suitable for product weight range from 0.5-6kg.
- Weighing accuracy is within  $\pm 2g$ ;
- 10-inch touch screen, can store over 1 million transaction, data export through USB;
- It is widely used for food, feeds, logistic industries, automation production line, and so on.

## Multiple industrial application



Feeds



Logistic



Automation production line



**6kg**

Maximum capacity



**$\pm 2g$**

Best accuracy



**100**

Pcs/min  
Highest speed



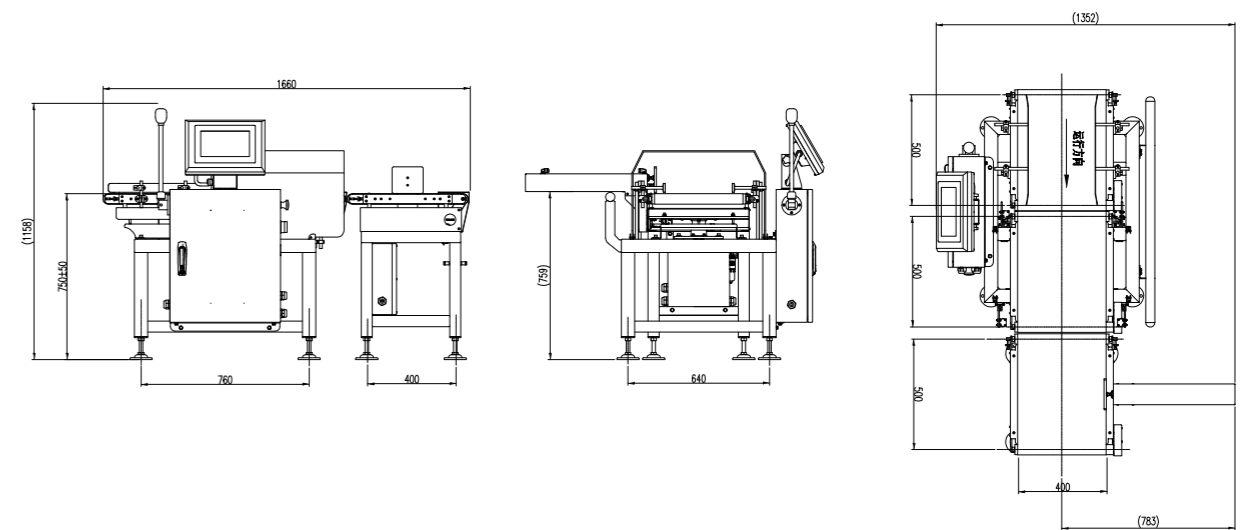
## Standard specification

Model	CW-6K
Maximum capacity	6kg
Scale division	0.5g
Best accuracy(3 $\sigma$ )*	$\pm 2g$
Highest weighing speed*	100pcs/min
Belt speed	10~50m/min
Belt size	500*400mm
Weighing platform height*	750 $\pm$ 50mm
Belt material	PU (blue/white)
Structure of the material	Carbon steel, S304 for weighing platform
Alarm light	3-color signal light (Red, yellow, green)
Display size	10-inch color touch screen
Rejector lineup	Options: swing type, push type, dropping type
Power	AC220V single phase, 50/60Hz, 1275W
Operating temperature	0~40°C
IP grade	IP54, IP65 Optional

\*Depend on the weight, size and material of test object.

## Dimensions

Unit:mm



# DYNAMIC CHECKWEIGHER CW-15K

- Heavy load, for product weight up to 15kg, with accuracy  $\pm 5g$ ;
- 10-inch screen, easy to operate;
- 100 different products storage;
- Widely used for checking weight of products in boxes, bags, barrel, etc.

## Multiple industrial application



Feeds



Logistic



Automation



**15 kg**  
Maximum capacity



**$\pm 5g$**   
Best accuracy



**85 Pcs/min**  
Highest speed



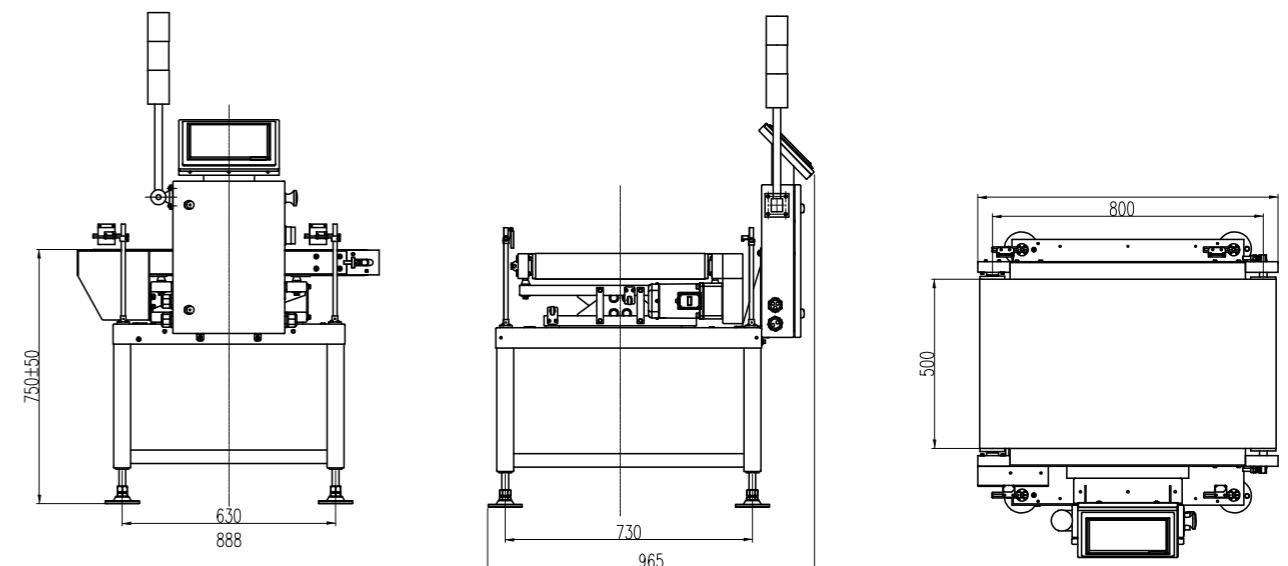
## Standard specification

Model	CW-15K
Maximum capacity	15kg
Scale division	1g
Best accuracy*	$\pm 5g$
Highest weighing speed*	85pcs/min
Belt speed	45~68m/min
Belt size	800×500mm
Weighing platform height*	750±50mm
Belt material	PVC (black)
Structure of the material	Carbon steel, S304 stainless steel (weighing platform)
Alarm light	3-color signal light (Red, yellow, green) , Optional buzzer
Display size	10-inch color touch screen
Rejector lineup	Options: roller push type
Power	Single Phase AC-220V $\pm 10\%$ , 50/60HZ ,275W
Operating temperature	0~40°C
IP grade	IP54 ,IP65 Optional

\*Depend on the weight, size and material of test object.

## Dimensions

Unit:mm



# DYNAMIC CHECKWEIGHER CW-30K

- Heavy load, for product weight up to 30kg, with accuracy  $\pm 5g$ ;
- 10-inch screen, easy to operate;
- 100 different products storage;
- Widely used for checking weight of products in boxes, bags, barrel, etc.

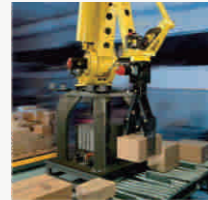
## Multiple industrial application



Feeds



Logistic



Automation production line



**30kg**  
Maximum capacity



**$\pm 5g$**   
Best accuracy



**40** Pcs/min  
Highest speed



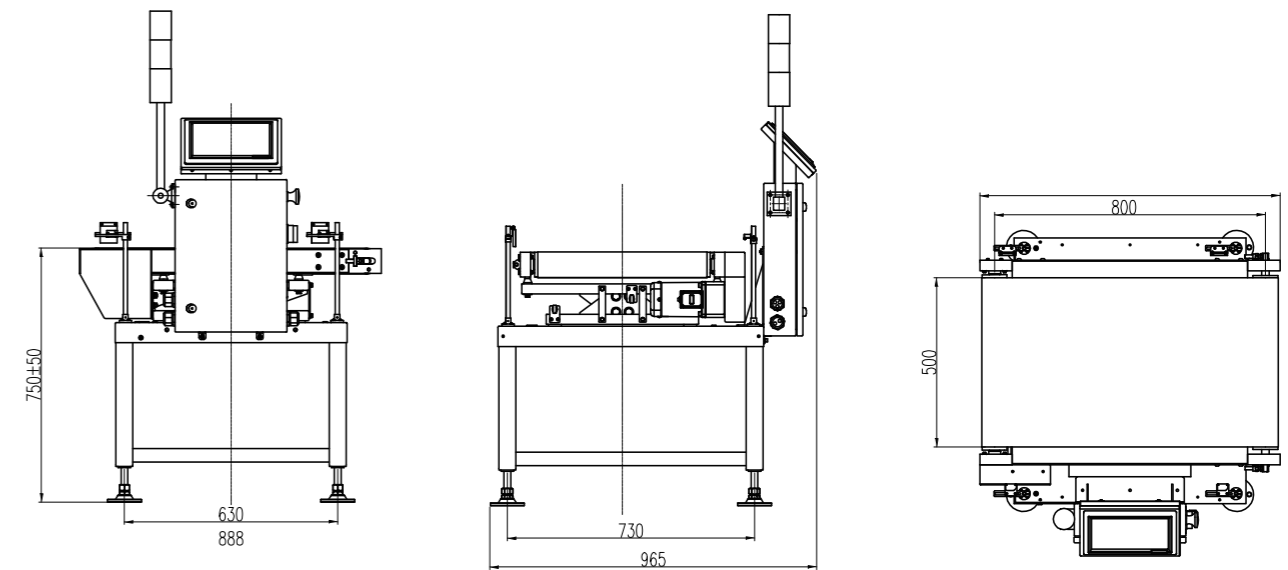
## Standard specification

Model	CW-30K
Maximum capacity	30kg
Scale division	1g
Best accuracy*	$\pm 5g$
Highest weighing speed*	30~40pcs/min
Belt speed	22~34m/min
Belt size	800*500mm
Weighing platform height*	750 $\pm$ 50mm
Belt material	PVC
Structure of the material	Carbon steel, S304 for weighing platform
Alarm light	3-color signal light ( Red, yellow, green )
Display size	10-inch color touch screen
Rejector lineup	Options: roller push type
Power	AC220V single phase, 50/60Hz ,275W
Operating temperature	0~40°C
IP grade	IP54, IP65 Optional

\*Depend on the weight, size and material of test object.

## Dimensions

Unit:mm



# DYNAMIC CHECKWEIGHER CW-60K

- Heavy load heavy duty, for bags ,boxes weight up to 60kg with accuracy within 10 grams;
- Strong structure for hash environment, option S304 S316 structure, option stainless loadcell;
- Using 4 loadcells for plat form, with variable mounting position for high accuracy under ruff environment;
- Flexible Modbus communication to integrate with computer, scanner, dimension measure device and soon.

## Multiple industrial application



Logistic



Automation



Grain and feeds



**60kg**  
Maximum capacity



**±10g**  
Best accuracy



**60 Pcs/min**  
Highest speed



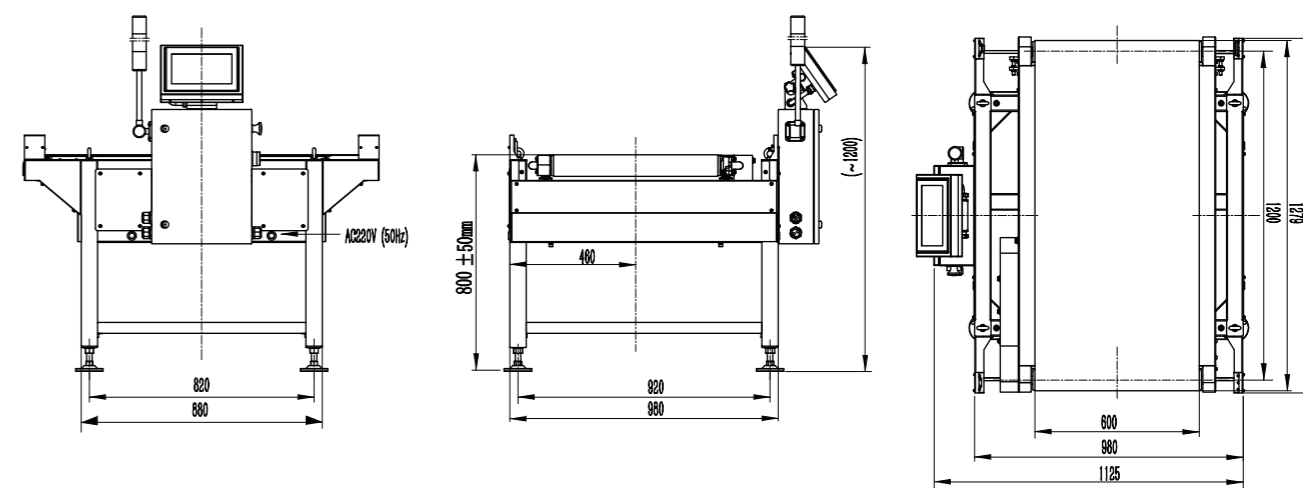
## Standard specification

Model	CW-60K
Maximum capacity	60Kg
Scale division	5g
Best accuracy*	±10g
Highest weighing speed*	60pcs/min
Belt speed	10~60m/min
Belt size	1000/1200×600mm
Weighing platform height*	400~750mm (±50mm)
Structure of the material	Carbon steel, S304 stainless steel (weighing platform)
Alarm light	3-color signal light (Red, yellow, green) , Optional buzzer
Display size	10-inch color touch screen
Rejector lineup	Options: roller push type
Belt material	PVC (black)
Power	Single Phase AC-220V ±10%, 50/60HZ ,825W
Operating temperature	0~40°C
IP grade	IP54 ,IP65 Optional

\*Depend on the weight, size and material of test object.

## Dimensions

Unit:mm



# DYNAMIC CHECKWEIGHER CW-60K For Cement Industry

CW-60K special version is a dynamic checkweigher with wide weighing range and high accuracy. The special structure design and components improve the protection performance and durability, for dusty industrial field.

## Feature Highlights

- PVK belt and thick machine frame are wear-resistant;
- Omron diffuse reflection photoelectric on the top position avoiding dust;
- Automatic air blowing device to regularly clean up the dust on the photoelectric to ensure its use properly;
- Synchronous wheel quenching to enhance the durability and increase the lifespan.



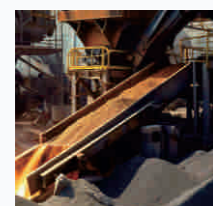
Thickened belts



Quenching treatment



Automatic air blowing



**60kg**  
Maximum capacity



**±10g**  
Best accuracy



**60 Pcs/min**  
Highest speed



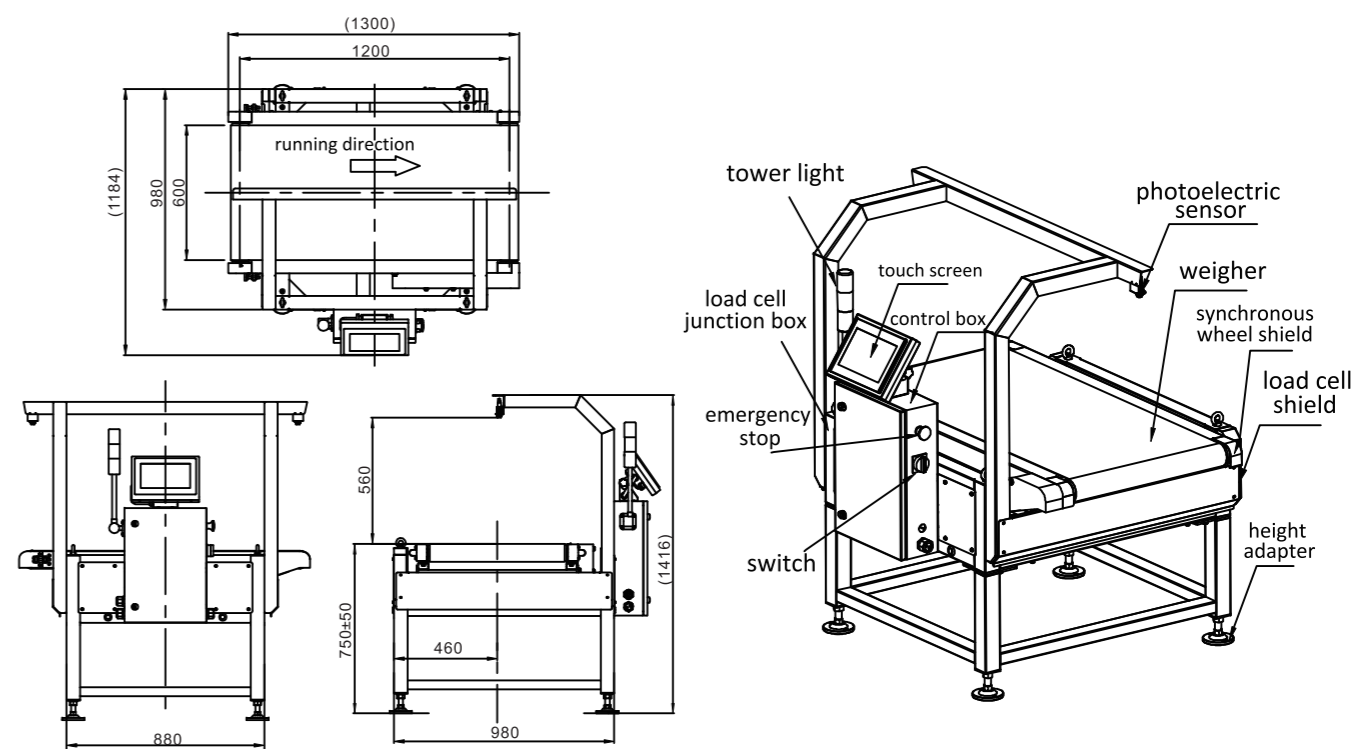
## Standard specification

Model	CW-60K For cement industry
Maximum capacity	60kg
Scale division	5g
Best accuracy*	±10g
Highest weighing speed*	60pcs/min
Belt speed	10~60m/min
Belt size	1000/1200 x600mm
Weighing platform height*	400~750mm (±50mm)
Belt material	PVK(black)
Structure of the material	Carbon steel, S304 stainless steel are optional
Alarm light	3-color signal light (Red, yellow, green),Optional buzzer
Display size	10-inch color touch screen
Rejector lineup	Options: roller push type
Power	AC 200~240V, 50/60Hz, 825W
Operating temperature	0~40°C
IP grade	IP54/IP65 Optional

\*Depend on the weight, size and material of test object.

## Dimensions

Unit: mm



# VERTICAL CHECKWEIGHER CW-60K-V

CW-60K-V checkweigher has wide weighing range but high accuracy guarantee. It is perfect for weighing the various bags and boxes running in vertical way in the production line.

- Standard module design for easy installation and maintenance;
- Easy integrating in the production line;
- Maximum capacity: 60kg, weighing accuracy is within  $\pm 20g$ ;

## Multiple applications



**60kg**  
Maximum capacity



**$\pm 10g$**   
Best accuracy



**50 Pcs/min**  
Highest speed



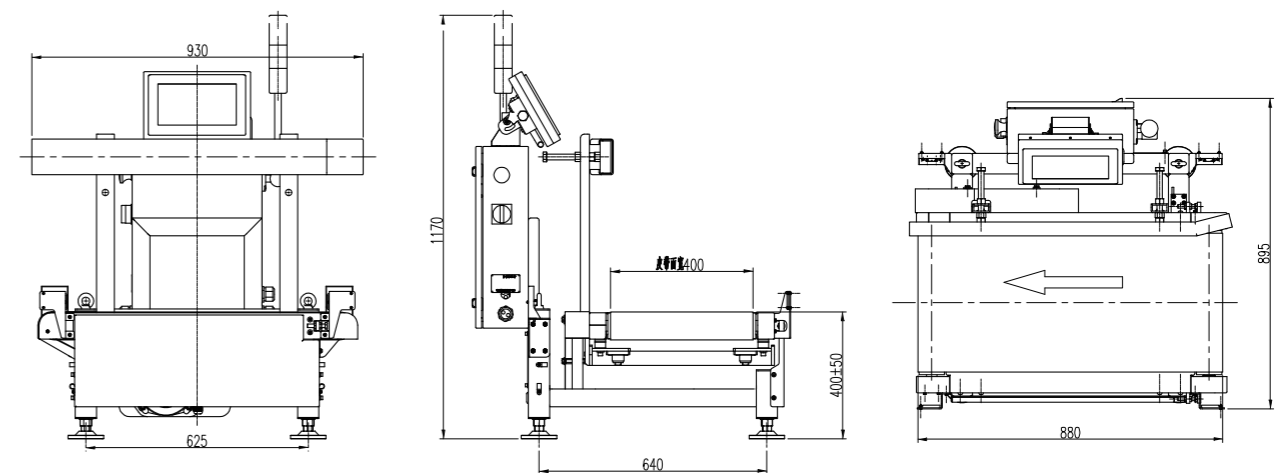
## Specification

Model	CW-60K-V
Maximum capacity	60kg
Best accuracy*	$\pm 10g$
Highest speed*	$\leq 50$ pcs/min
Belt speed	40m/min
Conveyor size	800mm*400mm
Distance between rollers	800mm
Weighing platform height	400 ( $\pm 50$ mm)
Structure material	Carbon Steel, S304 (weighingPlatform)
Belt material	PVC (black)
Display	10-inch touch screen
Power	AC220V $\pm 10\%$ , 50/60Hz, 825W
Working temperature	0~40°C
Max. humidity	90% R.H, non-condensation
Load limit	The instantaneous load limit is 100kg

\*It depends on the features of tested object, such as size and weight.

## Dimensions

Unit:mm



# JUMBO BAG CHECKWEIGHER CW-2.5T

CW-2.5T is a checkweigher for jumbo bag dynamic transporting and static weight checking. The weighing range is from 100kg to 2500kg. Separate control cabinet is convenient for application. It is suitable for harsh environment, such as chemical, feeds, logistic industries.

## Feature Highlights:

- For jumbo bag weight checking up to 2.5 tons.
- Module design, separate control box, easy to integrate into production lines.
- Support RS485 and Modbus TCP/IP



Feeds



Logistics

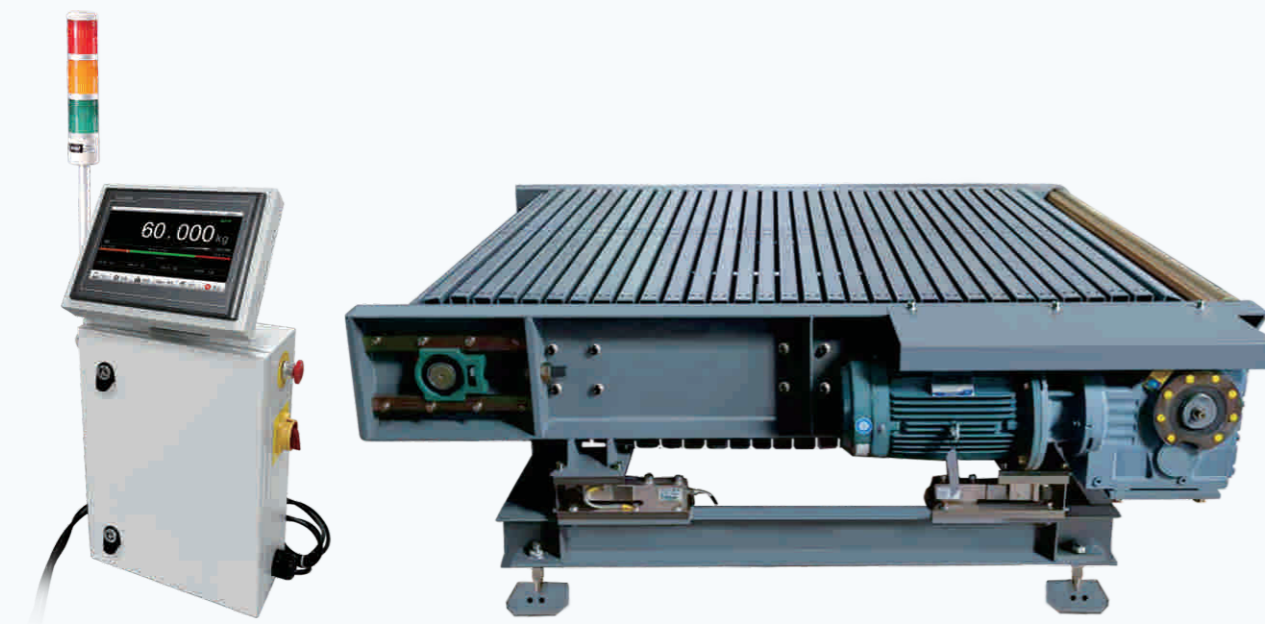


Chemical industry

**2500 kg**  
Maximum capacity

**± 1 kg**  
Best accuracy

**4 Pcs/min**  
Highest speed



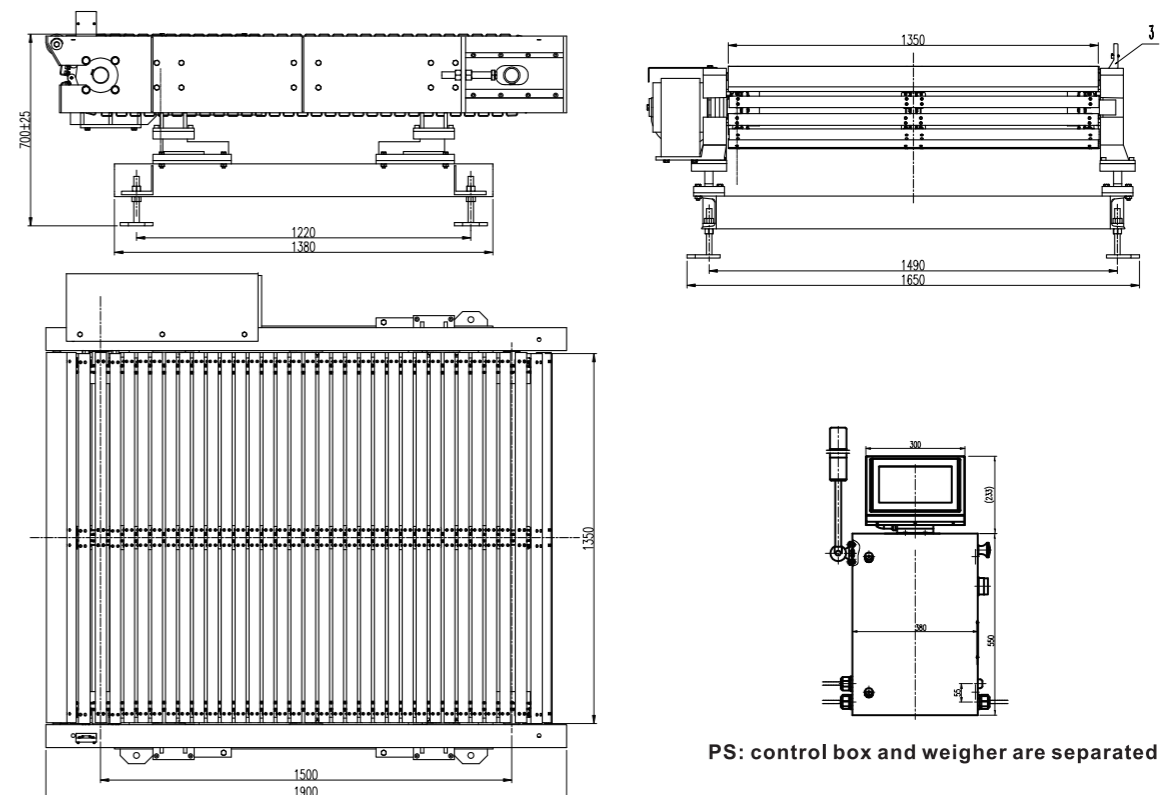
## Standard Specification

Model	CW-2.5T
Maximum capacity	2500kg
Scale division	100g
Best accuracy	±1kg
Highest speed	4 pcs/min
Belt speed	8m/min
Weighing platform size	1500mm x 1350mm
Weighing platform height	700±25mm
Structure material	Carbon steel
Alarm light	3-color signal light (red, yellow, green)
Display size	10-inch color touch screen
Power	AC 380, 50Hz, 3KW
Operating temperature	0~40°C
IP grade	IP54

\*Depend on the weight, size and material of test object.

## Structure & Dimension

Unit: mm



PS: control box and weigher are separated



# CHECKWEIGHER WITH METAL DETECTOR CW-1.2K

CW-1.2K is a high speed and accuracy checkweigher with weight check and metal detection function.

## Feature Highlight:

- 10-inch touch screen, easy operation;
- External expansion of IO port, serial port and network communication to achieve product management, monitoring and remote control;
- Widely used in food, pharmaceutical, daily use chemical, textile and other industries.



**1200g**  
Maximum capacity

**±0.5g**  
Best accuracy

**100** Pcs/min  
Highest speed

### Best Metal Detection Sensitivity

**Fe** ≥ φ 0.8mm

**Sus304** ≥ φ2.0mm

**Non-Fe** ≥ φ1.5mm



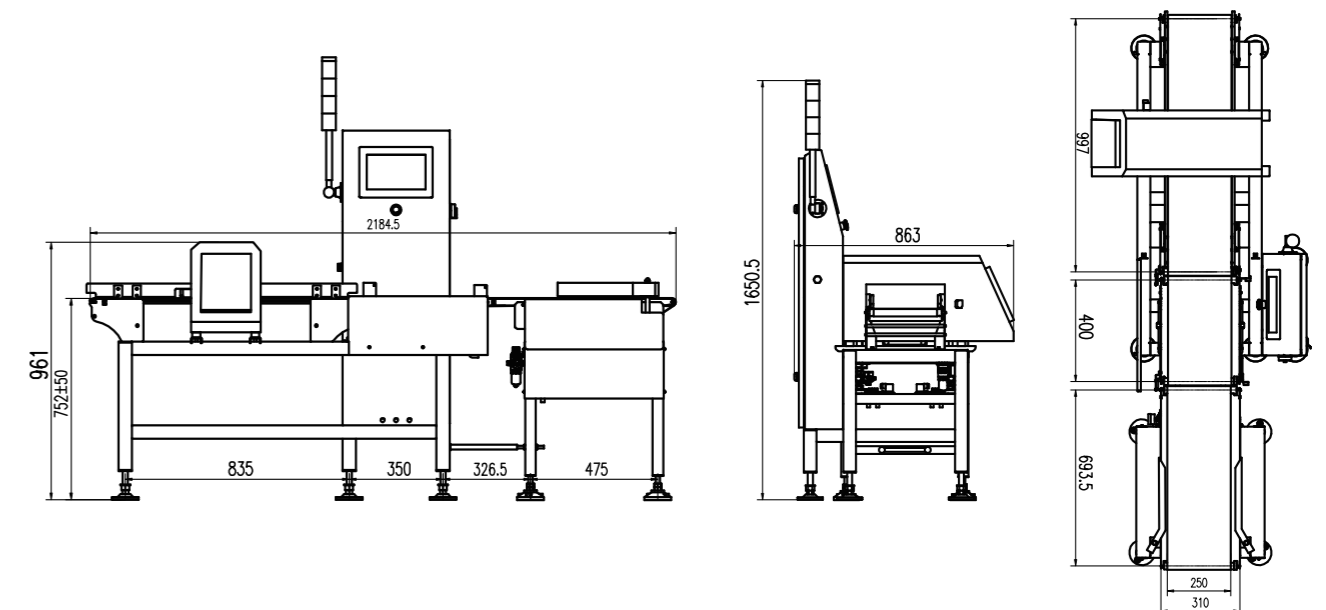
## Standard Specification

Model	CW-1.2K
Maximum capacity	1200g
Best Accuracy*	±0.5g
Weighing Speed	≤100 pcs/min
Belt Speed	5~40 m/min
Belt Size	400mm*250mm
Belt Material	PU White
Structure Material	S304 Stainless Steel
Rejector	Optional: swing arm, push type, air blow
Best Metal Detection Sensitivity*	Fe ≥ φ0.8mm    Sus304 ≥ φ2.0mm    Non-Fe ≥ φ1.5mm
Metal Detector Wide	250mm
Metal Detector Height	Optional: 80mm/100mm/120mm/150mm/200mm
Platform Height	750±50mm
Power	AC 220V±10% , 50/60Hz , 400W , 355W
Working Temperature	0~40°C
Maximum Humidity	90% R.H No Condensation
Limit Load	The instantaneous load shall not exceed 2.4kg

\*Metal detection sensitivity depends on product dimension, product materials, and is affected by test object features (humidity, temperature, salinity, mineral content, etc.), as well as some environmental effects, such as vibration, electromagnetic field interference, etc.,

## Structure & Dimension

Unit: mm



# CHECKWEIGHER WITH METAL DETECTOR CW-3K

CW-3K is a high speed and accuracy checkweigher with weight check and metal detection function.

## Feature Highlight:

- 10-inch touch screen, easy operation;
- External expansion of IO port, serial port and network communication to achieve product management, monitoring and remote control;
- Widely used in food, pharmaceutical, daily use chemical, textile and other industries;



**3kg**  
Maximum capacity

**±1g**  
Best accuracy

**100** Pcs/min  
Highest speed

### Best Metal Detection Sensitivity

- Fe ≥ Φ 0.8mm
- Sus304 ≥ Φ 2.0mm
- Non-Fe ≥ Φ 1.5mm



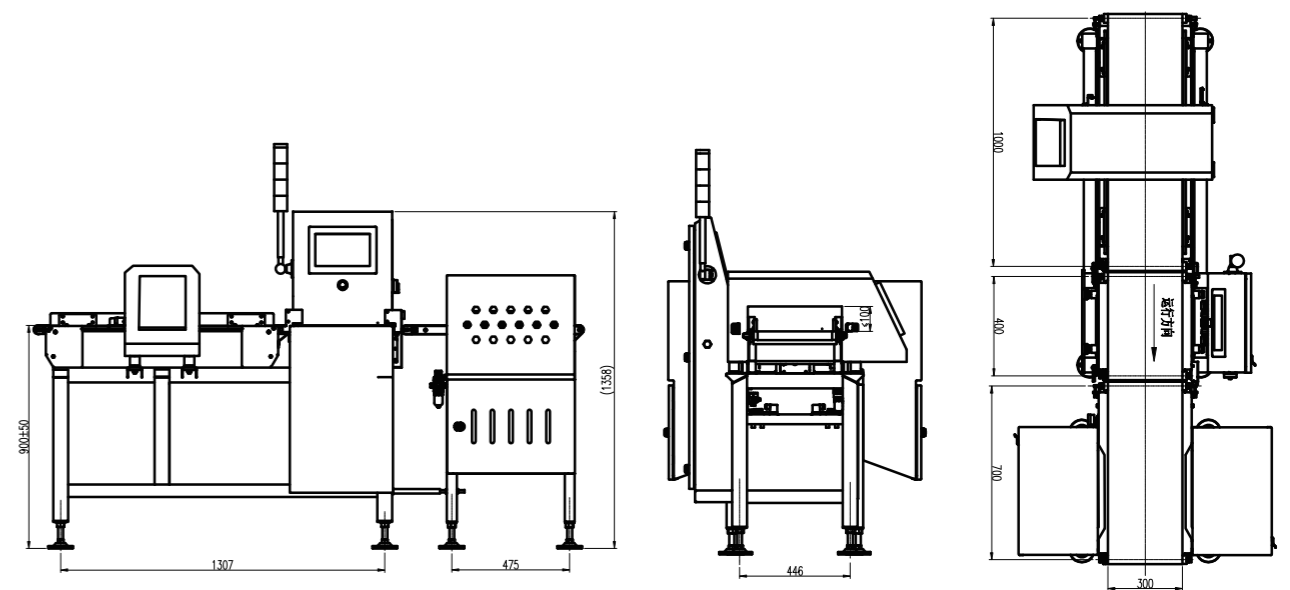
## Standard Specification

Model	CW-3K
Power	AC220V±10%, 50/60Hz, 730W
Maximum capacity	3kg
Best accuracy	±1g
Highest speed	≤100 pcs/min
Belt speed	5~40m/min
Belt size	400mm*300mm
Best metal detection sensitivity*	Fe ≥ Φ0.8mm Sus304 ≥ Φ2.0mm Non-Fe ≥ Φ1.5mm
Metal detector wide	300mm
Metal detector height	100mm (customization available)
Platform height	750±50mm (customization available)
Working temperature	0~40°C
Maximum humidity	90%R.H no condensation
Limit load	The instantaneous load shall not exceed 6kg

\*Metal detection sensitivity depends on product dimension, product materials, and is affected by test object features (humidity, temperature, salinity, mineral content, etc.), as well as some environmental effects, such as vibration, electromaagnetic field interference, et.,

## Structure & Dimension

Unit: mm



# CHECKWEIGHER WITH METAL DETECTOR CW-6K

CW-6K checkweigher with metal detector is a combo machine with dynamic weight checking and metal detecting function.

## Feature Highlight:

- 10-inch touch screen, easy operation;
- External expansion of IP port, serial port and network communication to achieve product management, monitoring and remote control;
- Widely used in food, daily use chemical, textile and packaging industries and so on



**6kg**  
Maximum capacity

**±1g**  
Best accuracy

**80** Pcs/min  
Highest speed

**Best Metal Detection Sensitivity**

Fe ≥ Φ1.2mm  
Sus304 ≥ Φ2.2mm  
Non-Fe ≥ Φ2.0mm



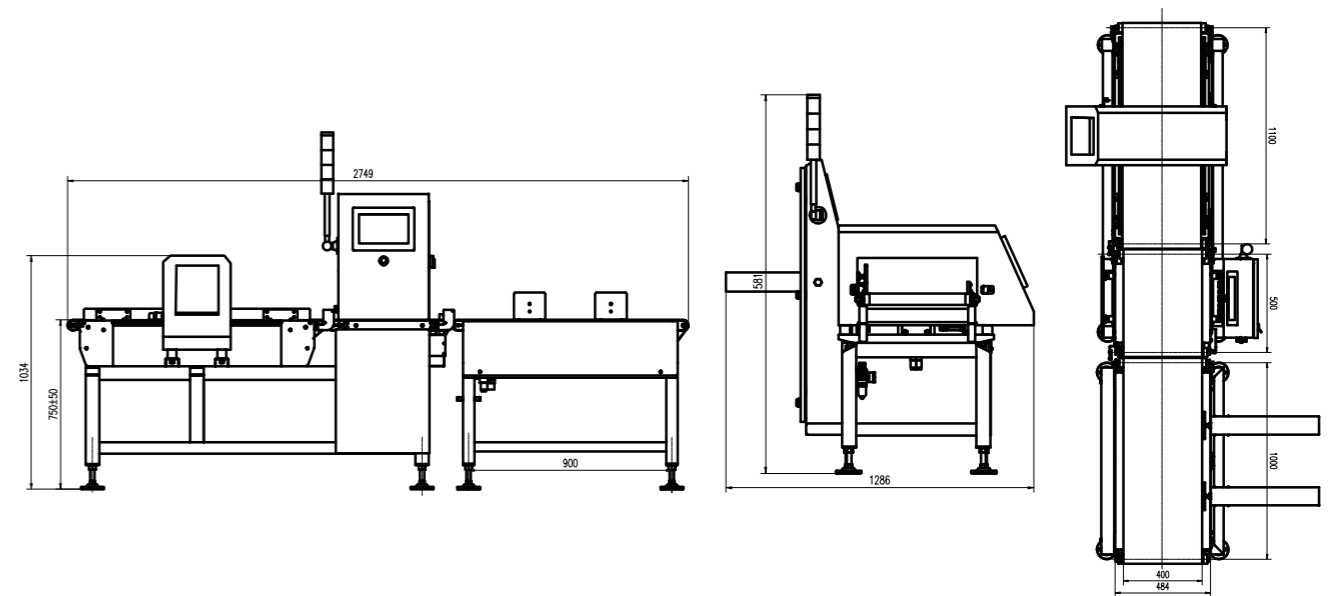
## Standard Specification

Model	CW-6K
Maximum capacity	6kg
Best accuracy	±1g
Highest speed	≤80 pcs/min
Belt speed	5~40m/min
Belt size	500mm*400mm
Belt material	PU White
Structure material	S304
Rejector	Optional: swing arm, push type, drop-off
Best metal detection sensitivity*	Fe ≥ Φ1.2mm Sus304 ≥ Φ2.2mm Non-Fe ≥ Φ2.0mm
Metal detector wide	400mm
Metal detector height	80mm/100mm/120mm/150mm/200mm
Platform height	750±50mm
Power	AC220V±10%, 50/60Hz, 1275W
Working temperature	0~40°C
Maximum humidity	90%
Limit load	12kg

\*Metal detection sensitivity depends on product dimension, product materials, and is affected by test object features (humidity, temperature, salinity, mineral content, etc.), as well as some environmental effects, such as vibration, electromaagnetic field interference, et.,

## Structure & Dimension

Unit: mm



# WEIGHT CHECK & SORTING MACHINE CW-1.2K

- Can be used for sorting 5 to 7 grades of weight;
- For raw food, bags, bottles, containers and so on;
- SS304 stainless steel;
- 10-inch touch screen;
- Can store over 1 million entries, data export by USB.

## Multiple applications



**1200g**

Maximum capacity

**±0.5g**

Best accuracy

**120** Pcs/min

Highest speed



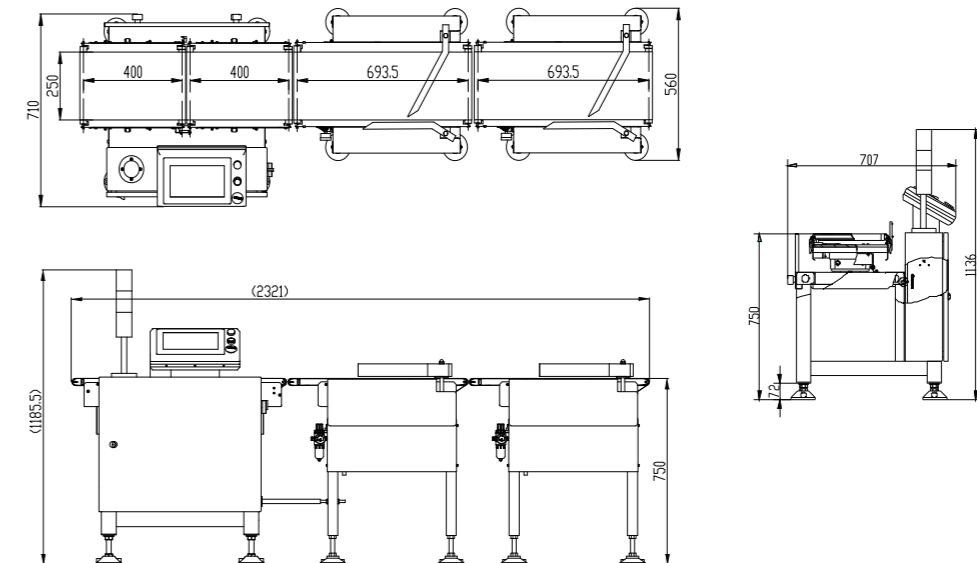
## Specification

Model	CW-1.2K
Maximum capacity	1200g
Scale division	0.1g
Best accuracy*	±0.5g
Highest weighing speed*	120 pcs/min
Belt speed	5~50 m/min
Belt size	400×250mm
Weighing platform height*	750±50mm
Belt material	PU (white)
Structure of the material	S304 stainless steel
Alarm light	3-color signal light (Red, yellow, green) , Optional buzzer
Display size	10-inch color touch screen
Rejector lineup	Options: swing type, push type rejector
Power	Single Phase AC-220V ±10%, 50/60HZ
Operating temperature	0~40°C
IP grade	IP54 ,IP65 Optional

\* Depend on the weight, size, and material of test object. Test accuracy: 1g at 120pcs/min

## Dimensions

Unit:mm



# WEIGHT CHECK & SORTING MACHINE CW-1.2K

- Can be used for sorting up to 11 grades of weight;
- For raw food, bags, bottles, containers and so on;
- SS304 stainless steel;
- 10-inch touch screen;
- Can store over 1 million entries, data export by USB.

## Multiple applications



**1200g**

Maximum capacity

**±0.5g**

Best accuracy

**120** Pcs/min

Highest speed



www.gmweighing.com

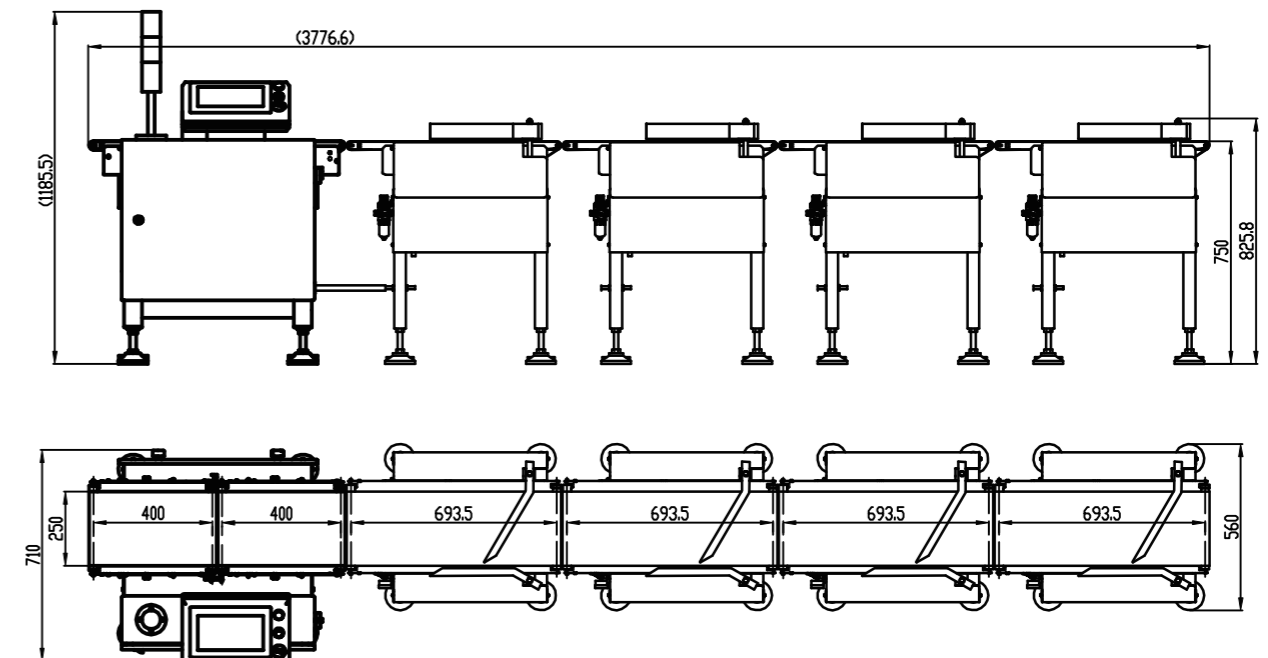
## Specification

Model	CW-1.2K
Maximum capacity	1200g
Scale division	0.1g
Best accuracy*	±0.5g
Highest weighing speed*	120 pcs/min
Belt speed	5~50 m/min
Belt size	400×250mm
Weighing platform height*	750±50mm
Belt material	PU (white)
Structure of the material	S304 stainless steel
Alarm light	3-color signal light (Red, yellow, green) , Optional buzzer
Display size	10-inch color touch screen
Rejector lineup	Options: swing type, push type rejector
Power	Single Phase AC 220V ±10%, 50/60HZ, 500W
Operating temperature	0~40°C
IP grade	IP54, IP65 Optional

\* Depend on the weight, size, and material of test object. Test accuracy: 1g at 120pcs/min

## Dimensions

Unit:mm



# WEIGHT CHECK & SORTING MACHINE CW-6K

- Can be used for sorting up to 11 grades of weight;
- For raw food, bags, bottles, containers and so on;
- SS304 stainless steel, IP65 ;
- 10-inch touch screen;
- Can store over 1 million entries, data export by USB.

## Multiple applications



**6kg**

Maximum capacity

**± 2g**

Best accuracy

**100** Pcs/min

Highest speed



## Standard specification

Model	CW-6K
Maximum capacity	6kg
Scale division	0.5g
Best accuracy(3σ)*	± 2g
Highest weighing speed*	100pcs/min
Belt speed	10~50m/min
Belt size	500*400mm
Weighing platform height*	750±50mm
Belt material	PU (blue/white)
Structure of the material	S304 stainless steel
Alarm light	3-color signal light (Red, yellow, green)
Display size	10-inch color touch screen
Rejector lineup	Options: swing type, push type
Power	AC 220V single phase, 50/60Hz, 2500W
Operating temperature	0~40°C
IP grade	IP65

\*Depend on the weight, size and material of test object.

## Dimensions

Unit:mm

