



Linkedin



Facebook



Wechat



PaxGo Series

Intelligent Packing Filler



General Measure Technology Co.,Ltd.

Address: Room2208, Block A, Building 6, Shenzhen International Innovation Valley,
Nanshan District, Shenzhen, Guangdong Province, P.R.China.

Tel/Wechat: +86 185 6585 5789

E-mail: xjlv@szgmt.com

Website: www.gmweighing.com



Making the World Measurable
Linking Your Smart Life



PaxGo Series Intelligent Packing Filler— an intelligent filler is widely used for granule packing.

PaxGo Series Intelligent Packing Filler



Easy
Operation



Automated
Control



Accurate
Weighing



High
Efficiency

PaxGo is an automatic weigh filler its self-optimizing controls can be precisely configured to your specific material flow, speed and accuracy requirements.

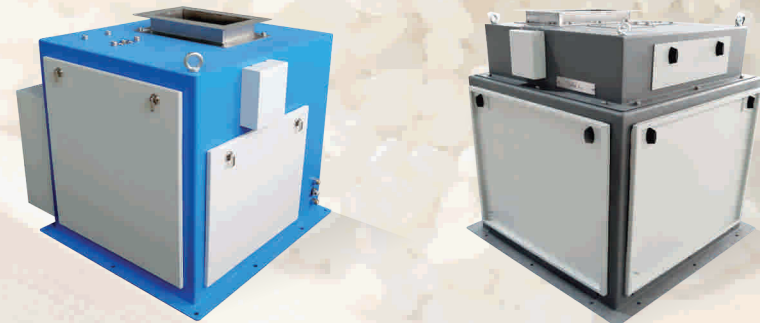
Features:

- Specially designed for granular products like Rice, Pulses, Plastic Granules, Animal Feed, Maize, Soybeans, Seeds, Sugar and other granular material;
- Equipped with self optimizing intelligent program for high speed operation;
- Best accuracy $\pm 2g$;
- Models available in 0.25-5kg, 0.5-10kg, 5-25kg, 10-50kg;
- Speeds up to 16 Bags per minute.



Industrial Design

Special design for industrial application, high speed and accuracy.



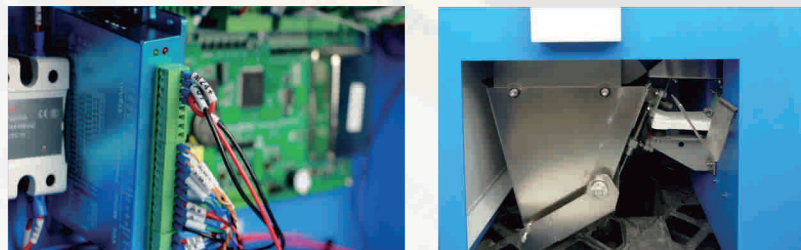
User-friendly Design

- The food contacting materials are all made of S304 stainless steel and can be used for food packaging;
- International premium brand components ensure the product quality.



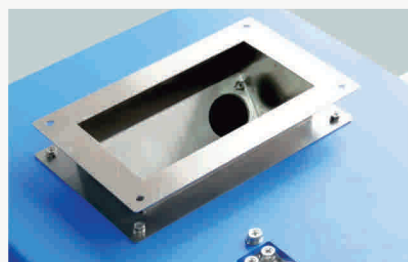
Communication interface

- Dual serial port RS232/RS485;
- Standard Ethernet port;
- Modbus TCP/IP;
- 4G/5G Communication (Optional).



Module Design

Easy installation and dismantling for washing down.



Servo Motor

For feeding control achieves intelligent auto adjustment fast and accurately.



USB

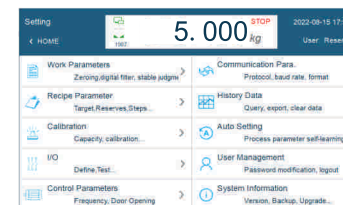
Embedded USB for exporting data conveniently and system upgrading.



User-friendly design

10-inch color user friendly touch screen and graphical design interface. Simple operation without professional training.

Parameter interface optimization and upgrade.



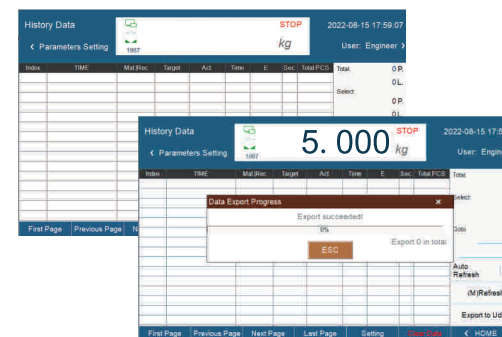
Parameter interface optimization and upgrade.

Observing data changes when setting parameters, which is simultaneous and intuitive.

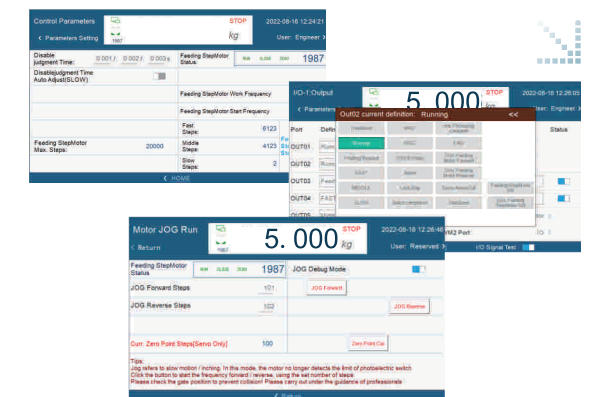


Well-organized data management

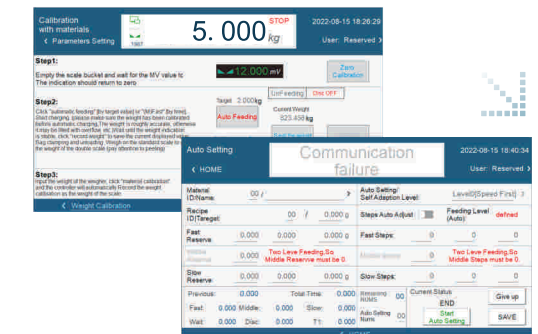
All definitions of each port can be intuitively selected.



Motor parameters: an interface can simultaneously display the motor status and parameters which is easy to debug.



Calibration according to different materials with step hints to make the field calibration more convenient.



GRANULE PACKING FILLER AF-50K



10-50kg
Weighing range

±20g
Best accuracy

≥800 + Pcs/h
Speed

Stable
Performance

Easy
Installation

Servo Motor
Control

Weighing
Accurate

Features:

- **Granular material:** design for big bag packing machine for plastic particles, rice, sugar and other granular material;
- **Easy dismounting:** module design of measuring hopper for easy cleaning;
- **Parameter setting:** self-adjust function with target value set only;
- **Stable performance:** servo motor controls feeding process;
- **Weighing accurate:** weighing range is 10-50kg. Speed can reach 900 pcs/h when the fast algorithm is opened, and best accuracy ± 20g.

Optional:



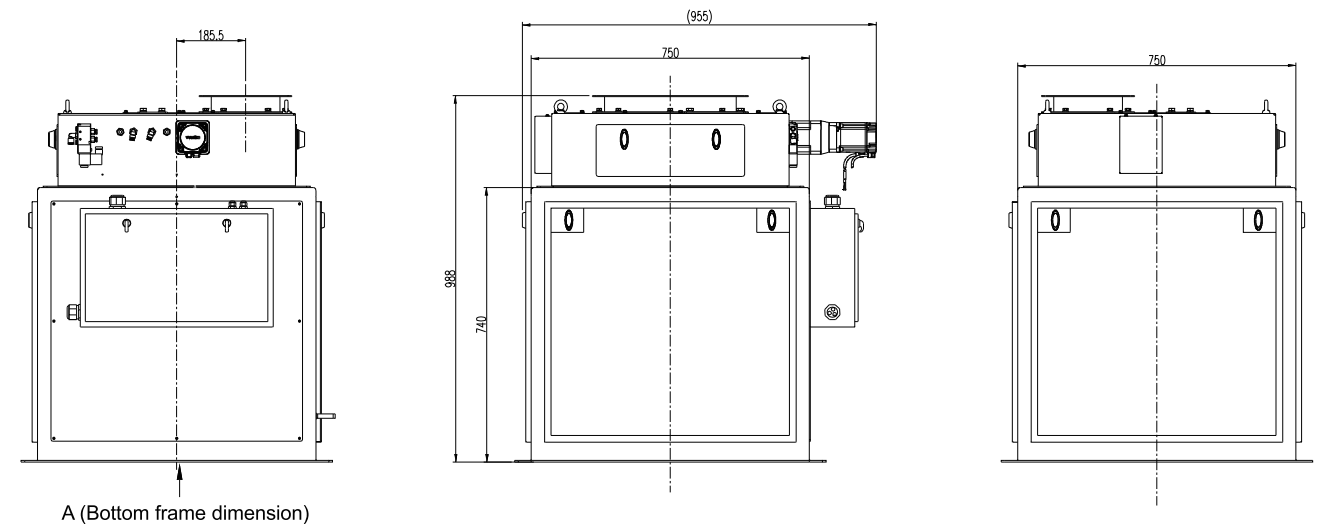
10-inch touch screen
User-friendly interface design,
vivid display, easy to operate.



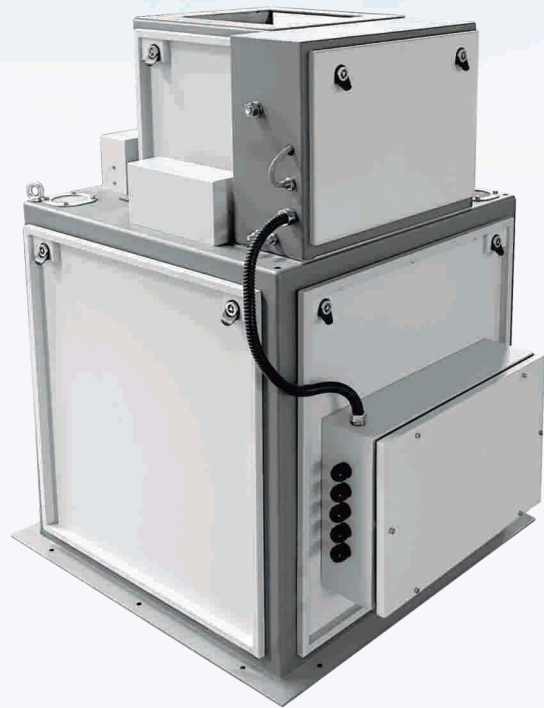
Specification	
Model	PaxGO AF-50K
Weighing range	10~50Kg
Division	1g
Best Accuracy*	±20g
Speed*	≥800pcs/h(Enable fast algorithm:900 pcs/h)
Volume	86L
Feeding method	Feeding control by servo, pneumatic discharging
Material	SS304,carbon steel
I/O	8 output(5V),8 input(24V)
Communication	RS485,Modbus TCP/IP
Pneumatic	0.4~0.6MPa
Power	Single Phase AC-220V ±10%,50/60HZ,1KW
Working environment	0~40°C, 90%R.H condensation is not allowed

*Normally, the diameter of the testing material 1-5mm.

Structure & Dimension Unit: mm



PNEUMATIC VERSION AF-50K



25-50kg
Weighing range

±25g
Best accuracy

≥1100 + Pcs/h
Speed



Stable
Performance



Easy
Installation



Pneumatic
Cylinder Control



High Speed
Weighing

Features:

- **Granular material:** design for big bag packing machine for plastic particles, rice, sugar and other granular material;
- **Easy installation:** module design, easy for installation and dismount;
- **Convenient setup:** self-adjust function with target value set only;
- **High-speed performance:** pneumatic cylinder control, speed can reach above 1100pcs/h;
- **Weighing accurate:** weighing range is 25~50kg, best accuracy is ±25g.

Optional:



10-inch touch screen

User-friendly interface design, vivid display, easy to operate.



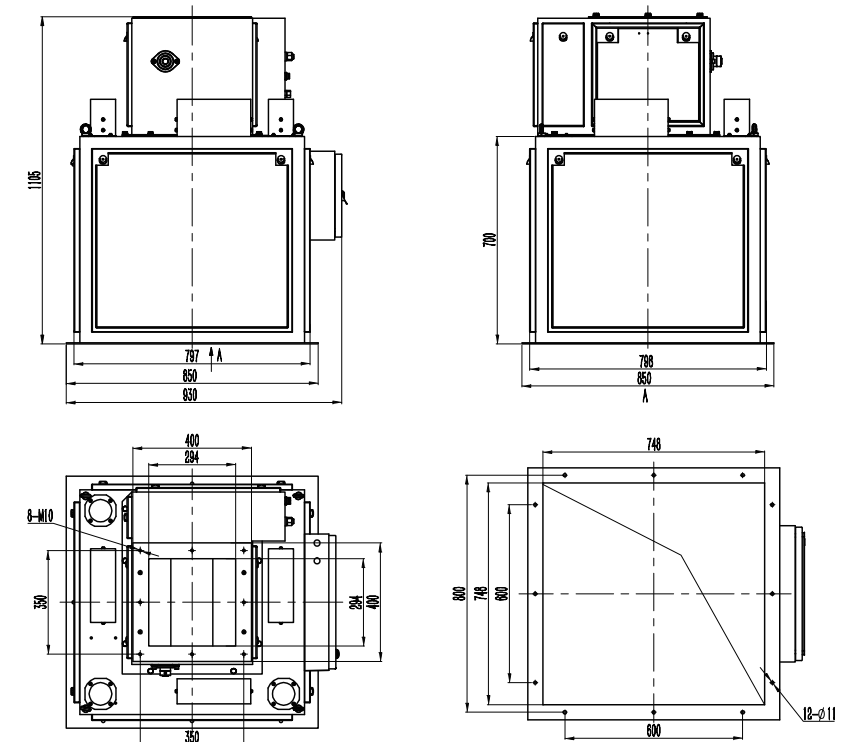
Specification

Model	PaxGO AF-50K Pneumatic Version
Weighing range	25~50Kg
Division	1g
Best Accuracy*	±25g
Speed*	≥1100pcs/h
Volume	86L
Feeding method	Pneumatic cylinder control
Material	SS304, carbon steel
I/O	8 output(5V),8 input(24V)
Communication	RS485,Modbus TCP/IP
Pneumatic	0.4~0.6MPa
Power	Single Phase AC-220V ±10%,50/60HZ,1KW
Working environment	0~40°C, 90%R.H condensation is not allowed

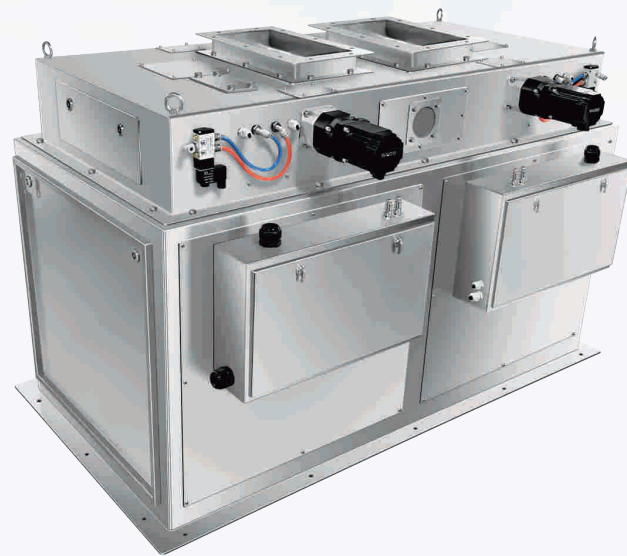
*Normally, the diameter of the testing material 1-5mm.

Structure & Dimension

Unit: mm



DUPLEX PACKING FILLER AF-50K II



10-50kg
Weighing range

±20g
Best accuracy

≥1500 + Pcs/h
Speed



Stable Performance



Easy Installation



Servo Motor Control



Weighing Accurate

Features:

- **Granular material:** design for big bag packing machine for plastic particles, rice, sugar and other granular material;
- **Easy dismounting:** module design of measuring hopper for easy cleaning;
- **Parameter setting:** self-adjust function with target value set only;
- **Stable performance:** servo motor controls feeding process;
- **Weighing accurate:** weighing range is 10-50kg. Speed can reach 1800 pcs/h when the fast algorithm is opened, and best accuracy ± 20g.

Optional:



10-inch touch screen

User-friendly interface design, vivid display, easy to operate.



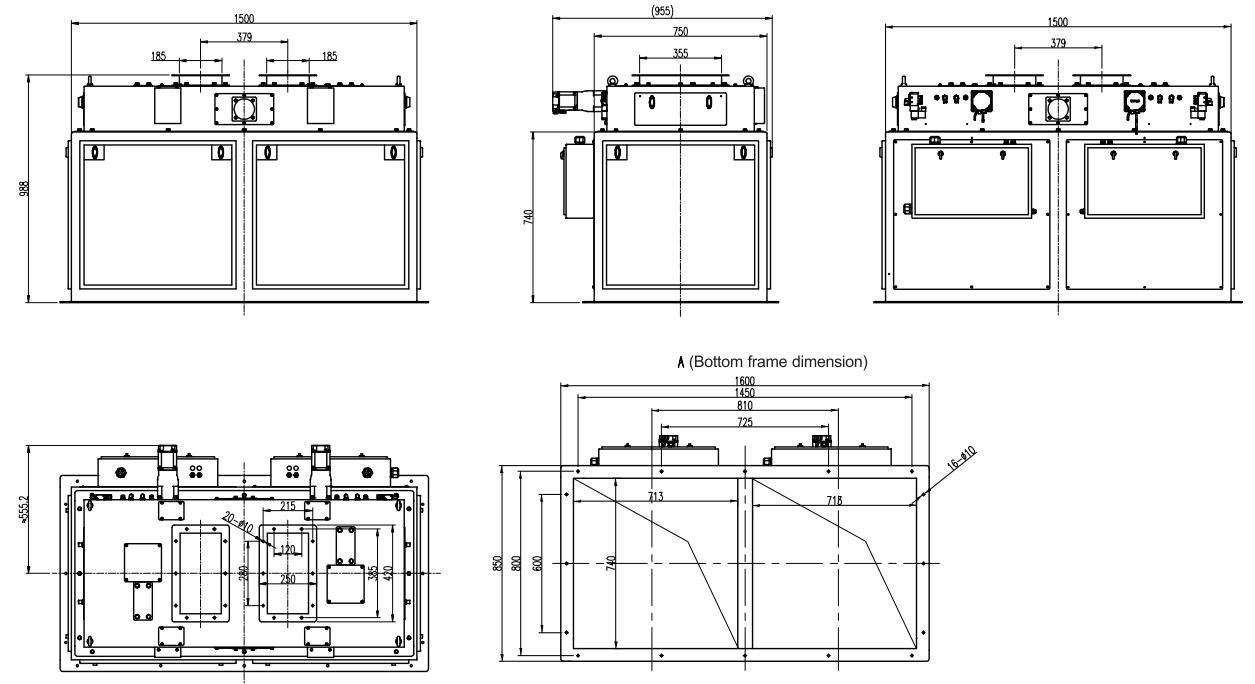
Specification

Model	PaxGO AF-50K II
Weighing range	10~50Kg
Division	1g
Best Accuracy*	±20g
Speed*	≥1500pcs/h(Enable fast algorithm:1800 pcs/h)
Volume	86L x 2
Feeding method	Feeding control by servo, pneumatic discharging
Material	SS304,carbon steel
I/O	8 output(5V),8 input(24V)
Communication	RS485,Modbus TCP/IP
Pneumatic	0.4~0.6MPa
Power	Single Phase AC-220V ±10%,50/60HZ,1KW
Working environment	0~40°C, 90%R.H condensation is not allowed

*Normally, the diameter of the testing material 1-5mm.

Structure & Dimension

Unit: mm



GRANULE PACKING FILLER AF-25K



5-25 kg
Weighing range

± 10g
Best accuracy

≥ 900 + Pcs/h
Speed

- Stable Performance
- Easy Installation
- Servo Motor Control
- Weighing Accurate

Features:

- **Granular material:** design for plastic particle, granular fertilizer, feeds and other granular material.
- **Easy dismounting:** module design of measuring hopper for easy cleaning;
- **Parameter setting:** self-adjust function with target value set only;
- **Stable performance:** servo motor controls feeding process;
- **Weighing accurate:** weighing range is 5-25kg. Speed can reach 1200 pcs/h when the fast algorithm is opened, and best accuracy ± 10g.



Optional:



Bag Clamp

- SS304 stainless steel.



10-inch touch screen

- User-friendly interface design, vivid display, easy to operate.

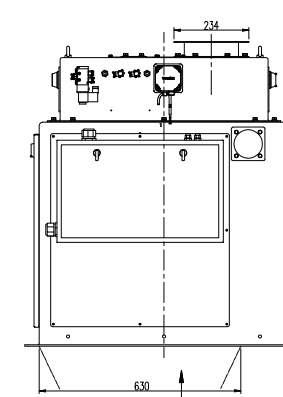
Specification

Model	PaxGO AF-25K
Weighing range	5~25Kg
Division	1g
Best Accuracy*	±10g
Speed*	≥900pcs/h(Enable fast algorithm:1200 pcs/h)
Volume	55L
Feeding method	Feeding control by servo, pneumatic discharging
Material	SS304,carbon steel
I/O	8 output(5V),8 input(24V)
Communication	RS485,Modbus TCP/IP
Pneumatic	0.4~0.6MPa
Power	Single Phase AC-220V ±10%,50/60HZ,1KW
Working environment	0~40°C, 90%R.H condensation is not allowed

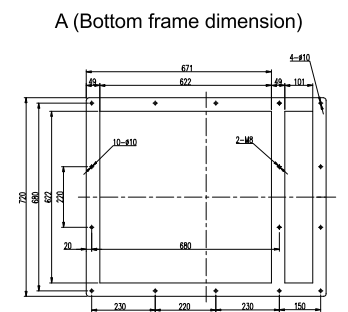
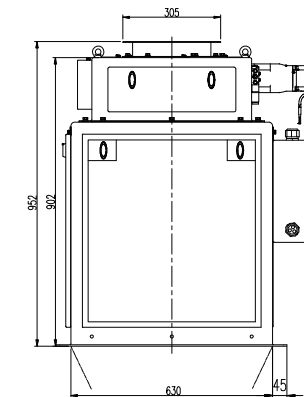
*Normally, the diameter of the testing material 1-5mm.

Structure & Dimension

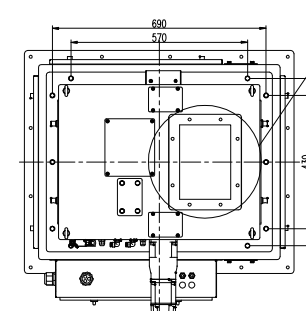
Unit: mm



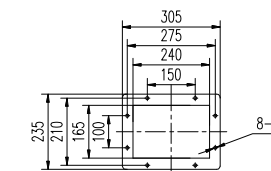
A (Bottom frame dimension)



A (Bottom frame dimension)

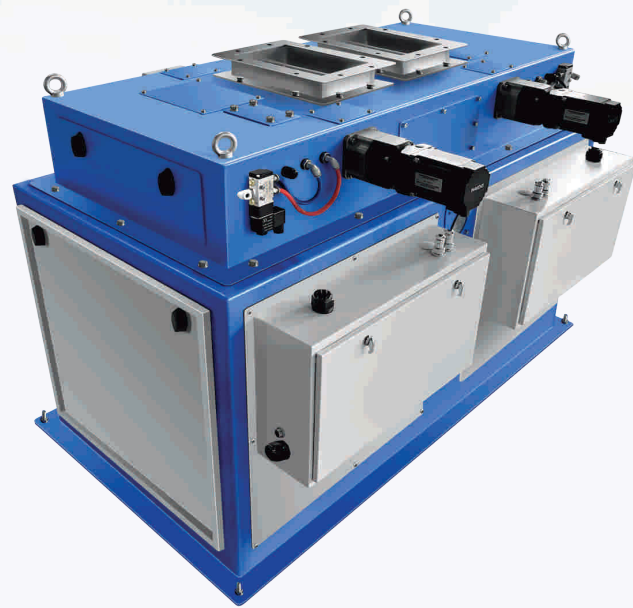


B (Feeding port dimension)



B (Feeding port dimension)

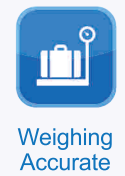
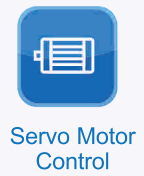
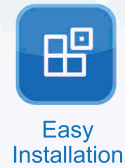
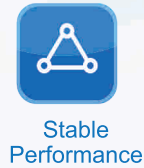
DUPLEX PACKING FILLER AF-25K II



5-25kg
Weighing range

± 10g
Best accuracy

≥ 1600 + Pcs/h
Speed



Features:

- **Granular material:** design for plastic particle, granular fertilizer, feeds and other granular material.
- **Easy dismounting:** module design of measuring hopper for easy cleaning;
- **Parameter setting:** self-adjust function with target value set only;
- **Stable performance:** servo motor controls feeding process;
- **Weighing accurate:** weighing range is 5-25kg. Speed can reach 2400 pcs/h when the fast algorithm is opened, and best accuracy ± 10g.



Optional:



Bag Clamp

- SS304 stainless steel.



10-inch touch screen

- User-friendly interface design, vivid display, easy to operate.

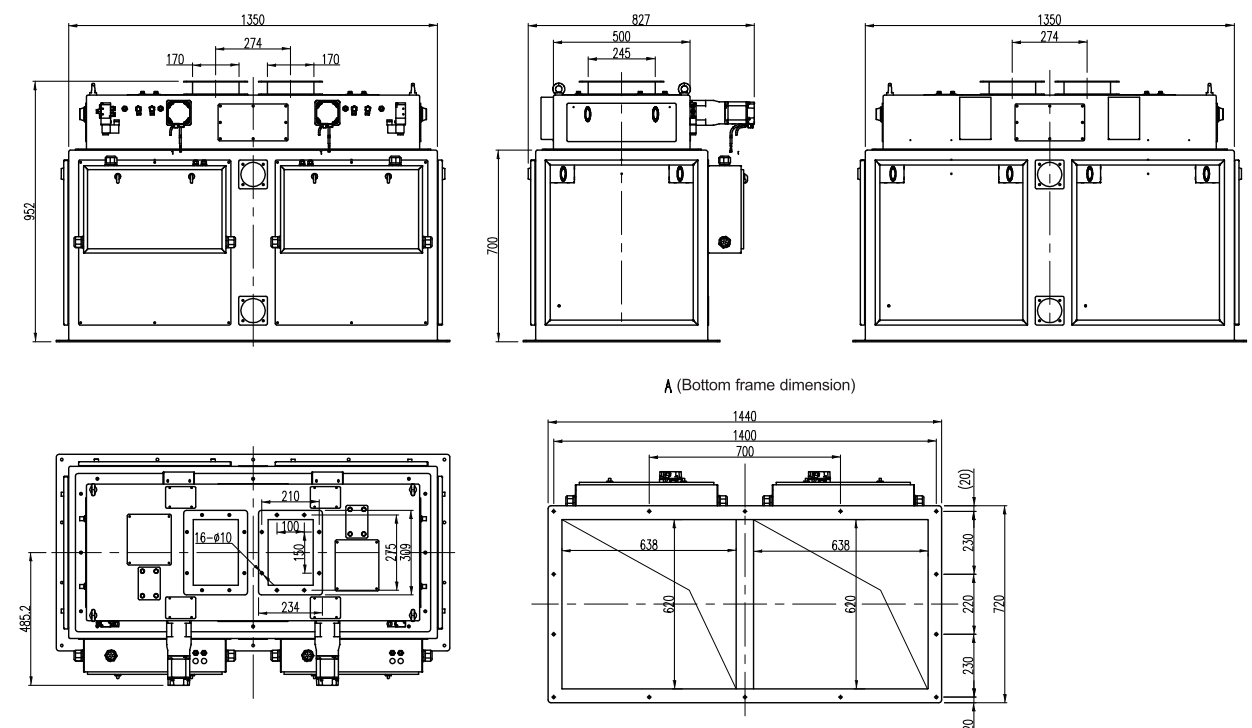
Specification

Model	PaxGO AF-25K II
Weighing range	5~25Kg
Division	1g
Best Accuracy*	±10g
Speed*	≥1600pcs/h(Enable fast algorithm:2400 pcs/h)
Volume	55L x 2
Feeding method	Feeding control by servo, pneumatic discharging
Material	SS304, carbon steel
I/O	8 output(5V),8 input(24V)
Communication	RS485,Modbus TCP/IP
Pneumatic	0.4~0.6MPa
Power	Single Phase AC-220V ±10%,50/60HZ,1KW
Working environment	0~40°C, 90%R.H condensation is not allowed

*Normally, the diameter of the testing material 1-5mm.

Structure & Dimension

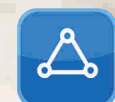
Unit: mm



GRANULE PACKING FILLER AF-10K



0.5-10kg
Weighing range



Stable
Performance



Easy
Installation

±3g
Best accuracy



Servo Motor
Control



Weighing
Accurate

≥900 + Pcs/h
Speed

Features:

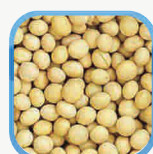
- **Granular material:** design for rice, millet, beans and other granular material;
- **Easy dismounting:** module design of measuring hopper for easy cleaning;
- **Parameter setting:** self-adjust function with target value set only;
- **Stable performance:** servo motor controls feeding process;
- **Weighing accurate:** weighing range is 0.5-10kg. Speed can reach 1300 pcs/h when the fast algorithm is opened, and best accuracy ±3g.

Optional:



10-inch touch screen

User-friendly interface design,
vivid display, easy to operate.



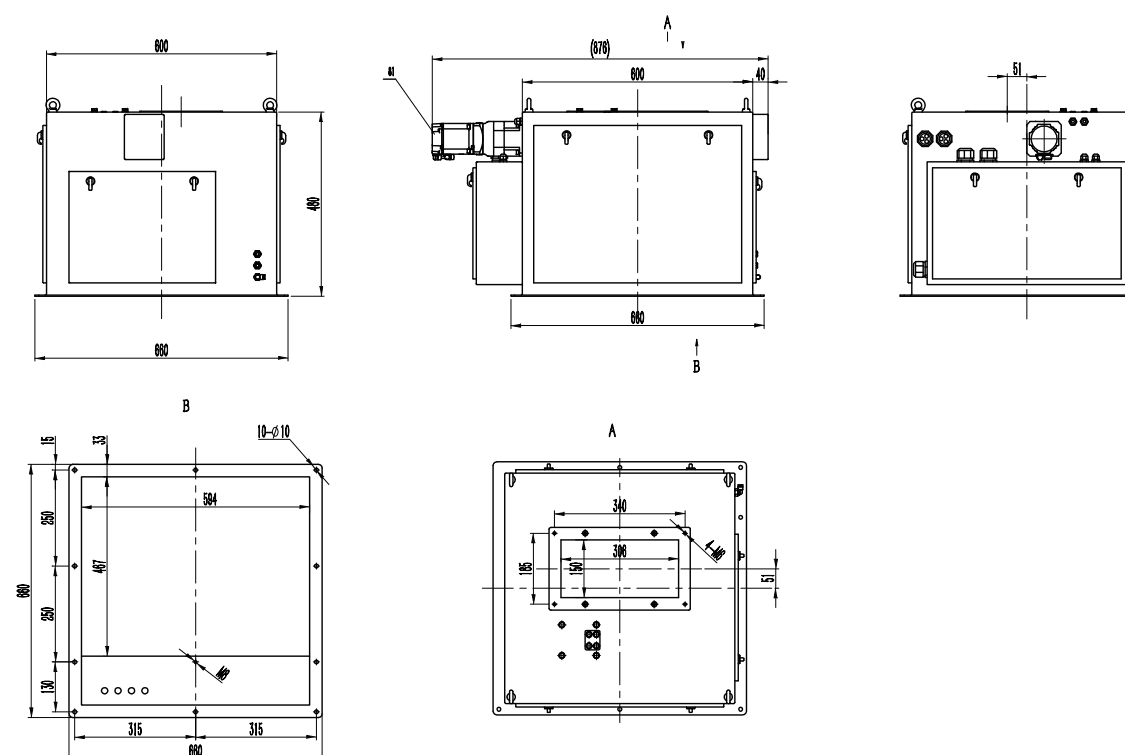
Specification

Model	PaxGO AF-10K
Weighing range	0.5~10Kg
Division	1g
Best Accuracy*	±3g
Speed*	≥900pcs/h(Enable fast algorithm:1300 pcs/h)
Volume	15L
Feeding method	Servo motor+ feeding vibrator pneumatic discharging
Material	SS304,carbon steel
I/O	8 output(5V),8 input(24V)
Communication	RS485,Modbus TCP/IP
Pneumatic	0.4~0.6MPa
Power	Single Phase AC-220V ±10%,50/60HZ,500KW
Working environment	0~40°C, 90%R.H condensation is not allowed

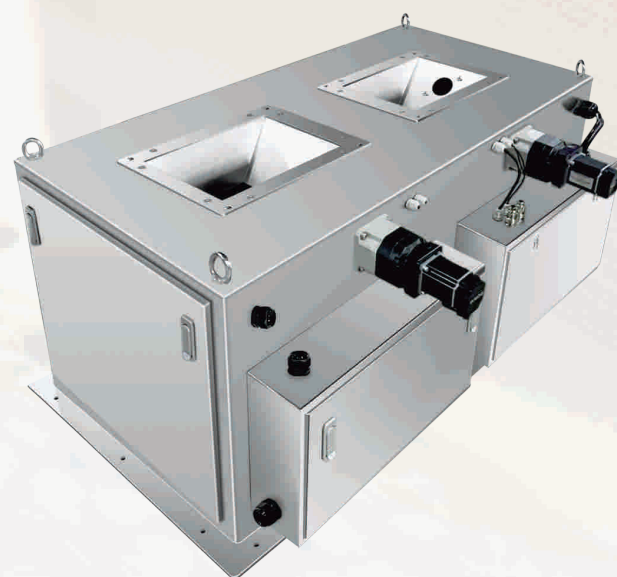
*Normally, the diameter of the testing material 1-5mm.

Structure & Dimension

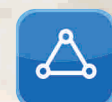
Unit: mm



DUPLEX PACKING FILLER AF-10KII



0.5-10kg
Weighing range



Stable Performance



Easy Installation

±3g
Best accuracy



Servo Motor Control



Weighing Accurate

≥1600 + Pcs/h
Speed

Features:

- **Granular material:** design for rice, millet, beans and other granular material;
- **Easy dismounting:** module design of measuring hopper for easy cleaning;
- **Parameter setting:** self-adjust function with target value set only;
- **Stable performance:** servo motor controls feeding process;
- **Weighing accurate:** weighing range is 0.5-10kg. Speed can reach 2600 pcs/h when the fast algorithm is opened, and best accuracy ± 3g.



Optional:



10-inch touch screen

User-friendly interface design, vivid display, easy to operate.

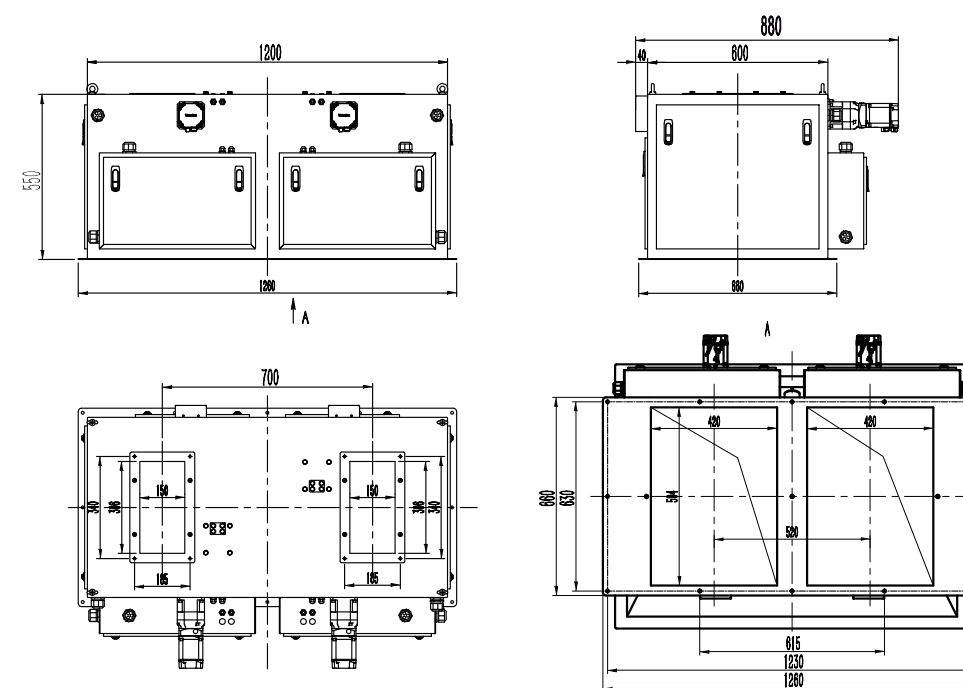
Specification

Model	PaxGO AF-10KII
Weighing range	0.5~10Kg
Division	1g
Best Accuracy*	±3g
Speed*	≥1600 pcs/h(Enable fast algorithm:2600 pcs/h)
Volume	15L x 2
Feeding method	Servo motor+feeding vibrator , pneumatic discharging
Material	SS304,carbon steel
I/O	8 output(5V),8 input(24V)
Communication	RS485, Modbus TCP/IP
Pneumatic	0.4~0.6MPa
Power	Single Phase AC-220V ±10%,50/60HZ,500KW
Working environment	0~40°C , 90%R.H condensation is not allowed

*Normally, the diameter of the testing material 1-5mm.

Structure & Dimension

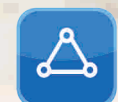
Unit: mm



GRANULE PACKING FILLER AF-5K



0.25-5kg
Weighing range



Stable Performance



Easy Installation

±2g
Best accuracy



Servo Motor Control



Weighing Accurate

≥1000 + Pcs/h
Speed

Features:

- **Granular material:** design for rice, millet, beans and other granular material;
- **Easy dismounting:** module design of measuring hopper for easy cleaning;
- **Parameter setting:** self-adjust function with target value set only;
- **Stable performance:** servo motor controls feeding process;
- **Weighing accurate:** weighing range is 0.25-5kg. Speed can reach 1400 pcs/h when the fast algorithm is opened, and best accuracy ±2g.



• User-friendly interface design, vivid display, easy to operate.

Specification

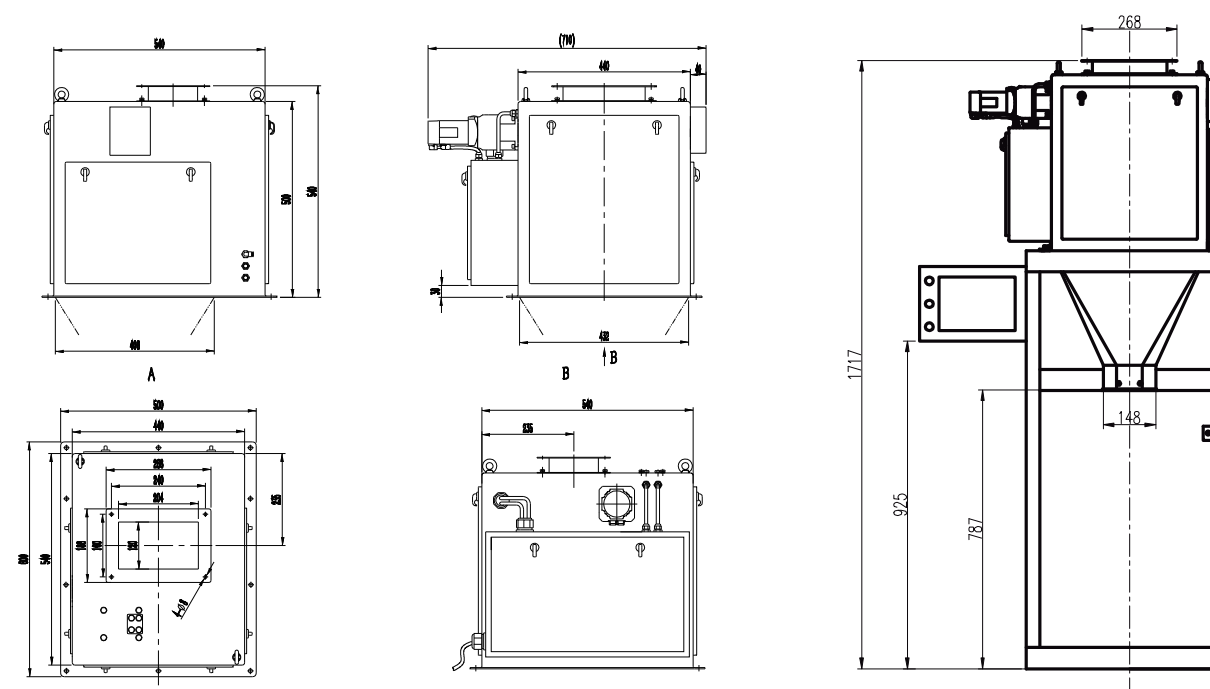
Model	PaxGO AF-5K
Weighing range	0.25~5Kg
Division	1g
Best Accuracy*	±2g
Speed*	≥1000 pcs/h(Enable fast algorithm:1400 pcs/h)
Volume	11L
Feeding method	Servo motor+feeding vibrator , pneumatic discharging
Material	SS304,carbon steel
I/O	8 output(5V),8 input(24V)
Communication	RS485, Modbus TCP/IP
Pneumatic	0.4~0.6MPa
Power	Single Phase AC-220V ±10%,50/60HZ,500KW
Working environment	0~40°C , 90%R.H condensation is not allowed

*Testing material: rice,speed:1600pcs/h,accuracy: ±2 g

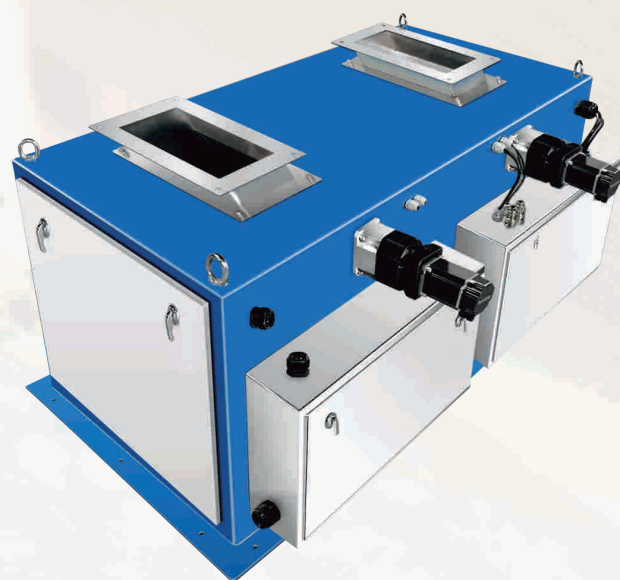
*Normally, the diameter of the testing material 1-5mm

Structure & Dimension

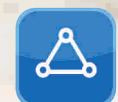
Unit: mm



DUPLEX PACKING FILLER AF-5KII



0.25-5kg
Weighing range



Stable
Performance



Easy
Installation

±2g
Best accuracy



Servo Motor
Control

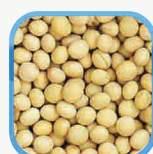


Weighing
Accurate

≥1600 + Pcs/h
Speed

Features:

- **Granular material:** design for rice, millet, beans and other granular material;
- **Easy dismounting:** module design of measuring hopper for easy cleaning;
- **Parameter setting:** self-adjust function with target value set only;
- **Stable performance:** servo motor controls feeding process;
- **Weighing accurate:** weighing range is 0.25-5kg. Speed can reach 2800 pcs/h when the fast algorithm is opened, and best accuracy ± 10g.



Specification

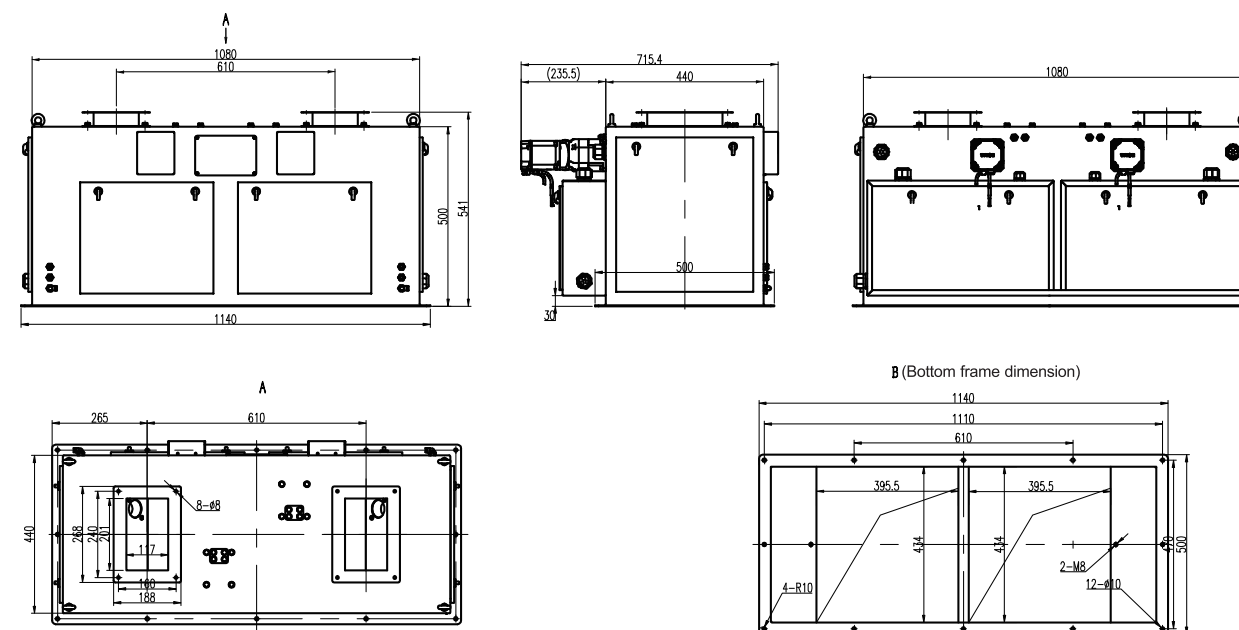
Model	PaxGO AF-5KII
Weighing range	0.25~5Kg
Division	1g
Best Accuracy*	±2g
Speed*	≥1600 pcs/h(Enable fast algorithm:2800 pcs/h)
Volume	11L x 2
Feeding method	Servo motor+feeding vibrator , pneumatic discharging
Material	SS304,carbon steel
I/O	8 output(5V),8 input(24V)
Communication	RS485, Modbus TCP/IP
Pneumatic	0.4~0.6MPa
Power	Single Phase AC-220V ±10%,50/60HZ,500KW
Working environment	0~40°C , 90%R.H condensation is not allowed

*Testing material: rice, speed: 1600pcs/h, accuracy: ±2 g

*Normally, the diameter of the testing material 1-5mm

Structure & Dimension

Unit: mm



GRANULE PACKING FILLER AF-1K



50g - 1kg
Weighing range

±2g
Best accuracy

1800 + Pcs/h
Highest speed



Stable
Performance



Easy
Installation



Pneumatic
Cylinder Control



High Speed
Weighing

Features:

• High speed and accuracy:

the highest speed can reach 1800pcs/h and the best accuracy is ±2g;

• Granular materials:

special designed for small weighing range packages, like rice, millet, beans and so on;

• Stable performance:

step motor + vibrator feeding-type, pneumatic discharging-type;

• Parameter setting:

self-adjust function with target value set only, easy operation.



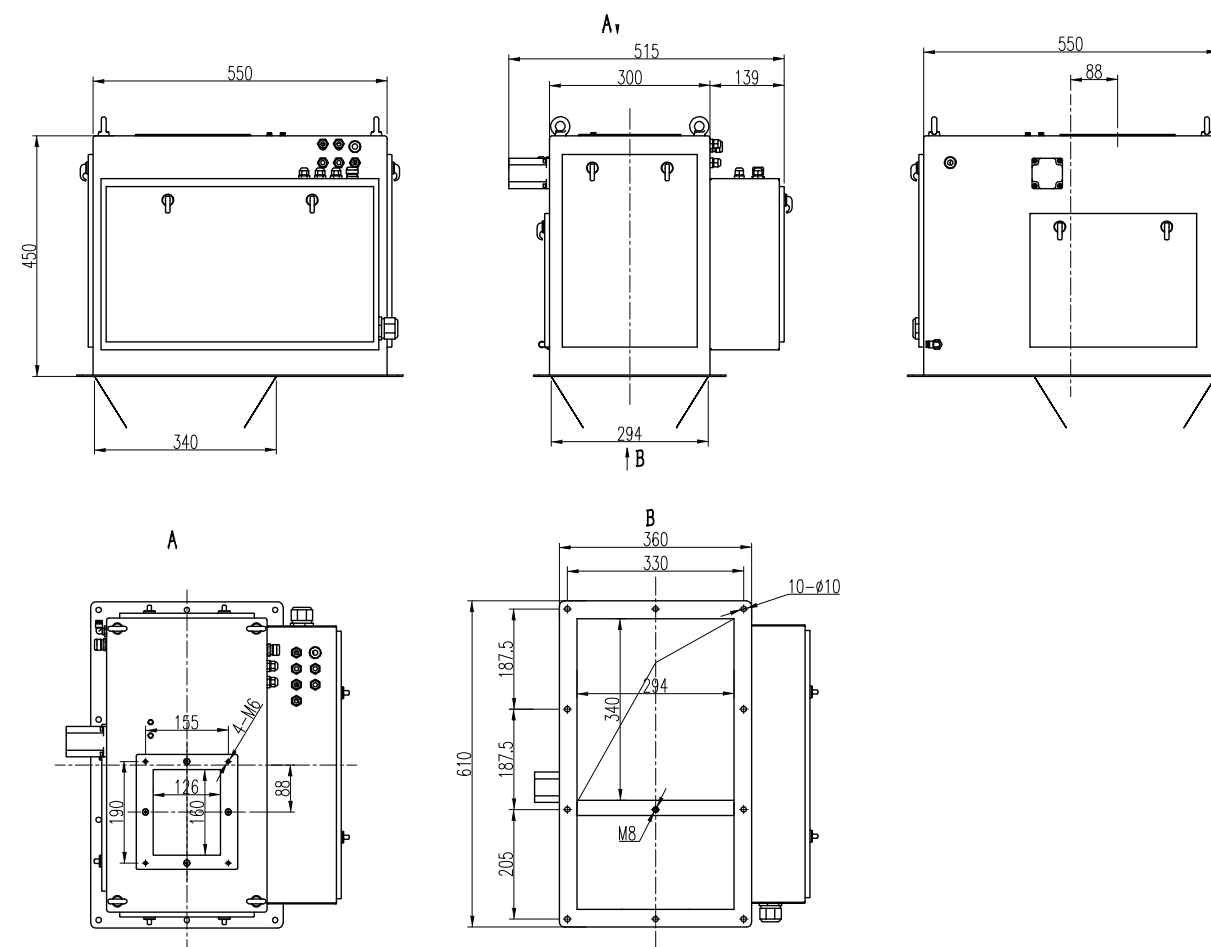
Specification

Model	PaxGO AF-1K
Weighing range	0.05~1Kg
Division	1g
Best Accuracy*	±2g
The highest speed*	1800 pcs/h
Volume	2.8L
Feeding method	Step motor + vibrator feeding-type, pneumatic discharging-type;
Material	Carbon steel/stainless steel optional
Communication	USB, 2*RS485
Pneumatic	0.4~0.6MPa 2m ³ /h
Power	AC 220V ±10%,50/60HZ,200KW
Working environment	0~40°C, 90%R.H condensation is not allowed

*Normally, the diameter of the testing material 1-5mm.

Structure & Dimension

Unit: mm



DUPLEX PACKING FILLER AF-1KII



50g - 1kg
Weighing range

±2g
Best accuracy

3600 + Pcs/h
Highest speed



Stable
Performance



Easy
Installation



Pneumatic
Cylinder Control



High Speed
Weighing

Features:

- **High speed and accuracy:**

the highest speed can reach 3600pcs/h and the best accuracy is ±2g;

- **Granular materials:**

special designed for small weighing range packages, like rice, millet, beans and so on;

- **Stable performance:**

step motor + vibrator feeding-type, pneumatic discharging-type,

- **Parameter setting:**

self-adjust function with target value set only, easy operation.



Specification

Model	PaxGO AF-1KII
Weighing range	0.05~1Kg
Division	1g
Best Accuracy*	±2g
The highest speed*	3600 pcs/h
Volume	2.8L x 2
Feeding method	Step motor + vibrator feeding-type, pneumatic discharging-type;
Material	Carbon steel/stainless steel optional
Communication	USB, 2*RS485
Pneumatic	0.4~0.6MPa 2m ³ /h
Power	AC 220V ±10%,50/60HZ,400KW
Working environment	0~40°C, 90%R.H condensation is not allowed

*Normally, the diameter of the testing material 1-5mm.

Structure & Dimension

Unit: mm

