

# GMC-X904-2/D

## Rail-Mount Packing Controller



GMC-X904-2/D single or double hopper packing controller is a DIN rail-mounted weighing controller developed for packaging machine. Stainless steel case provides strong capability in anti-interference. The new algorithm makes the weighing control faster and more accurate. It can be widely used in feed, chemical, grain and other industries.



### HARDWARE HIGHLIGHT



- Stainless steel case with compact design (61\*132\*126mm);
- 1 RS232 and 1 Rs485;
- Modbus TCP/IP;
- I/O 12 input and 16 output;



### SOFTWARE HIGHLIGHT

- Support hopper/non hopper/big bag/bulking scale structure;

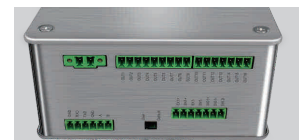
**Multiple working modes:** pneumatic feeding/discharging; motor feeding/discharging;

**Clamping and loosening bag modes:** Pneumatic, stepping motor, motor single-limit, motor double-limit optional;

- Batches setting function;
- Material level control function;
- I/O logic programming control function;

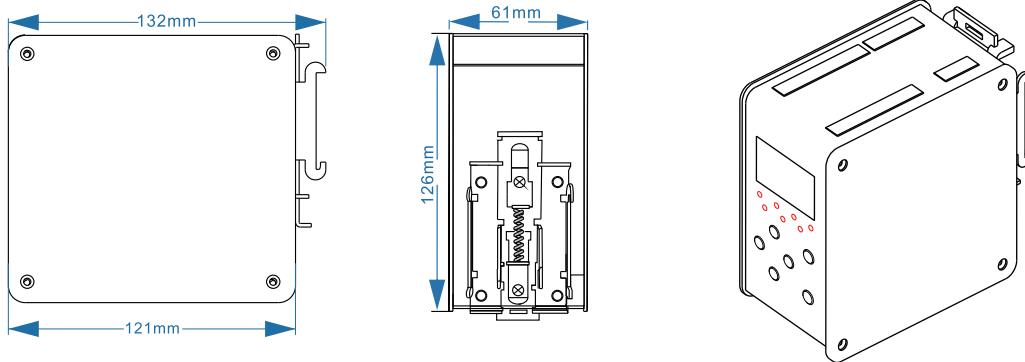
**Weighing and peripheral functions:**

- multiple digital filtering;
- automatic zero tracking;
- auxiliary pulse;
- multiple bag tapping modes;
- sewing machine control;
- discharge vibration;
- conveyor control;

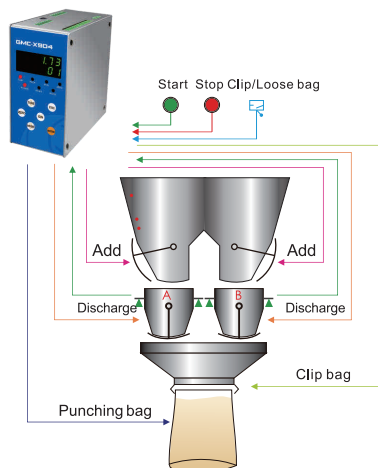


## Standard Specification

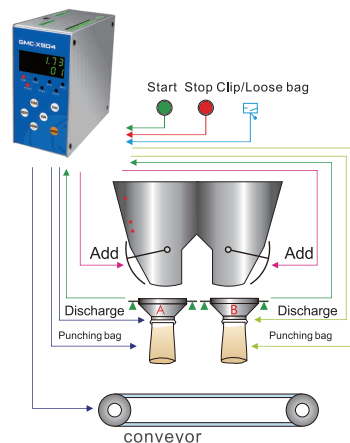
General Specifications	Model	GMC-X904
	Power	DC24V $\pm$ 5%
	Size	61mm $\times$ 132mm $\times$ 126mm
	Working Environment	-10~40°C
	Max. Humidity	90%R.H No Condensation
	Power Dissipation	Approx. 15W
Measurement parameters	Weighing Standard	ClassIII6000e, 1 $\mu$ V/d
	A/D Conversion	24bit Sigma-Delta
	A/D Speed	120/240/480/960 SPS
	Non-Linearity	0.01%FS
	Gain Drift	10 PPM/°C
	Sensitivity	0.02 $\mu$ V/d
	Input Millivolt	0.02~15mV
	Load cell Power	DC5V, 125mA(Max)
	Input Impedance	10MQ
Zero Steady Range	Maximum 0.002~15mV(Load Cell 3mV/V)	



## Application Diagram



Duplex Packing Controller with Hopper



Duplex Packing Controller without Hopper